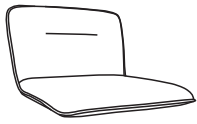


Casper Coutnerstool

Part # B26-CASPER XX+XX

20-1020

PARTS



A



B



C



x2
D



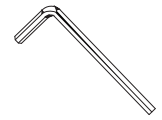
x4
(M6x30mm)
E



x2
(M6x18mm)
F

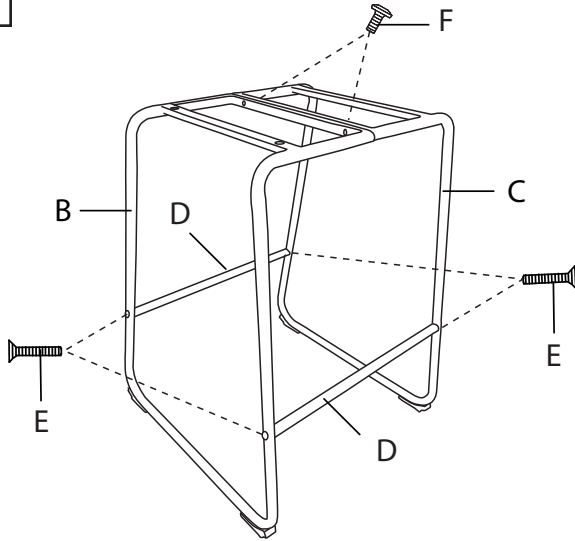


x4
(M6x22mm)
G

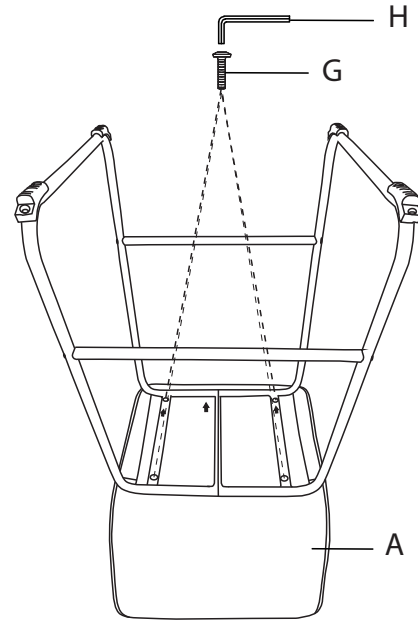


H

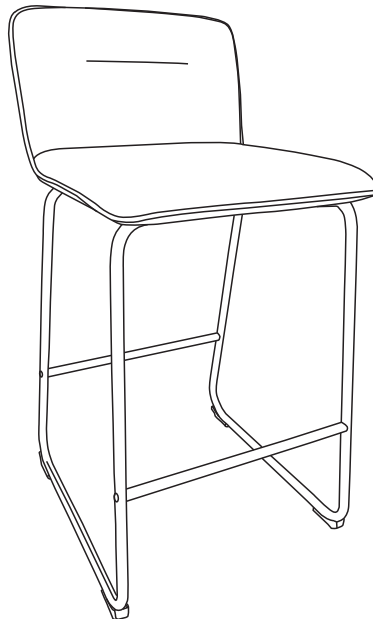
1



2



3



Do not over tighten.
 Do not use power tools to assemble.