

# Display Console Table

Part # TBC-DISPLAY XX+XX

TBC-DISPLAY-210628

**PARTS**



x8  
(M6 x 35mm)  
A



x8  
(14.5 x 12mm)  
B



x4  
C



x8  
(M5 x 40mm)  
D



x4  
(M3.5 x 20mm)  
E



x8  
(M6 x 35mm)  
F



x2  
(M6 x 30mm)  
G

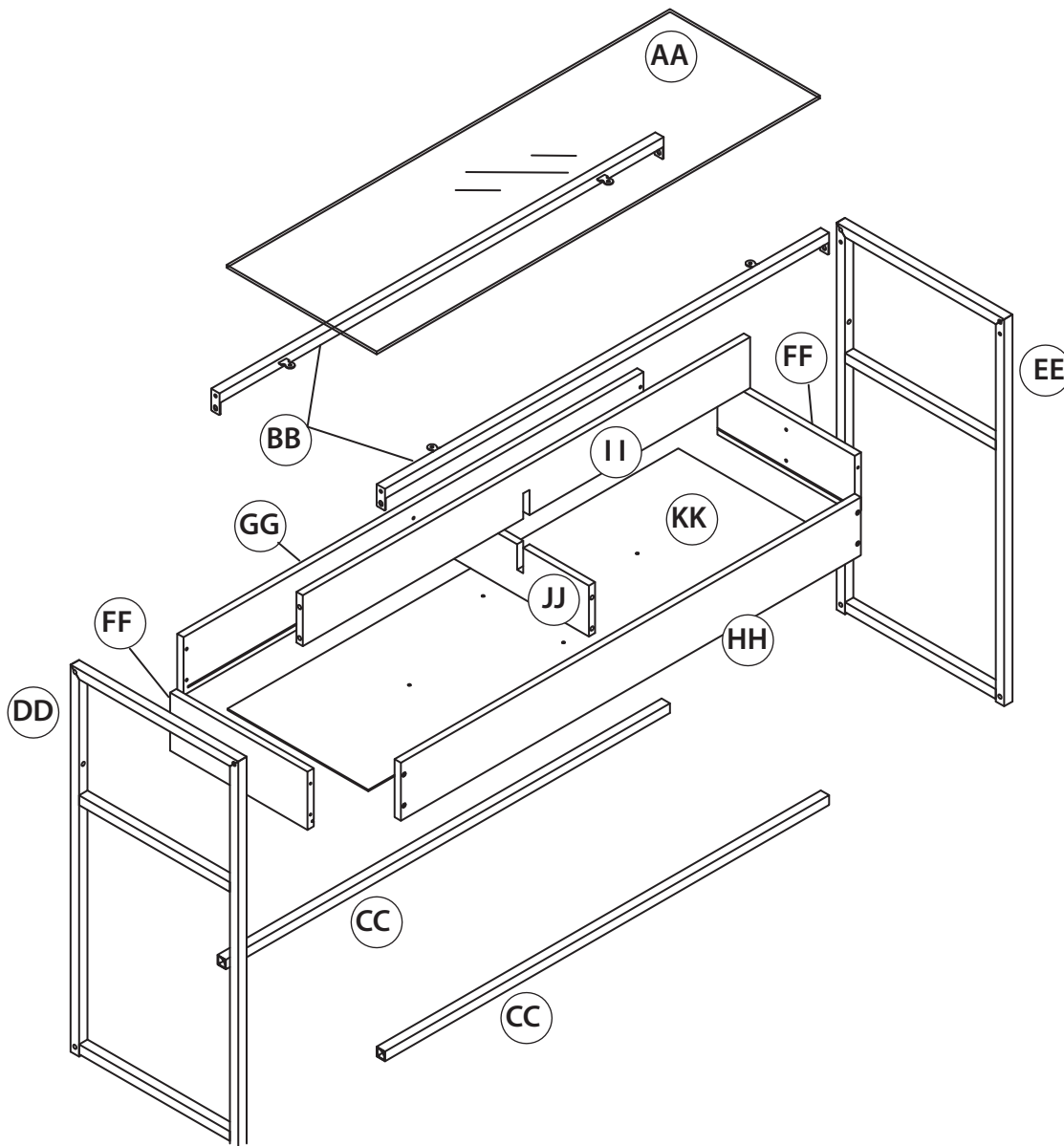


x4  
(M6 x 12mm)  
H



I

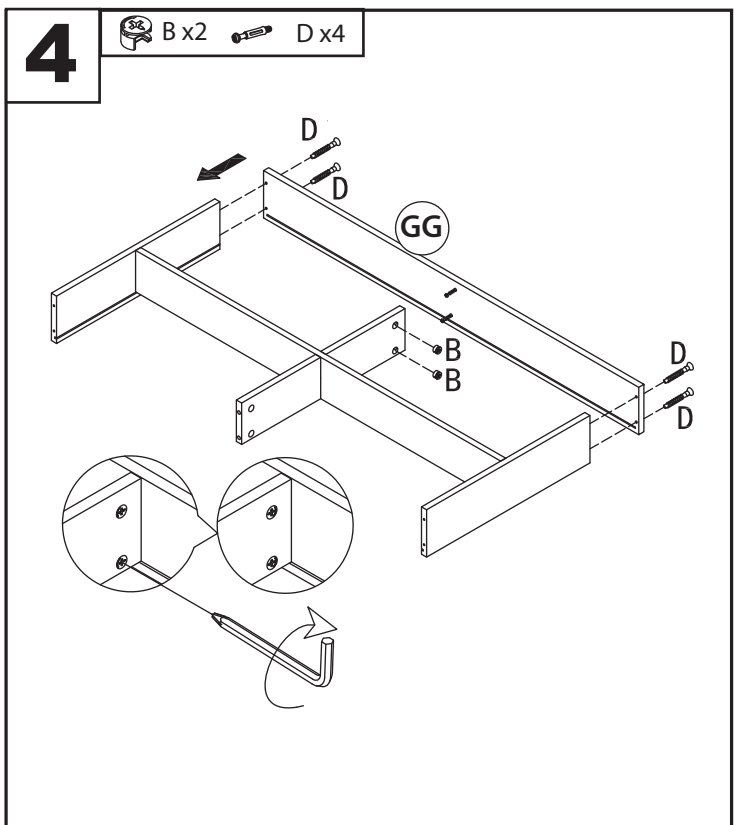
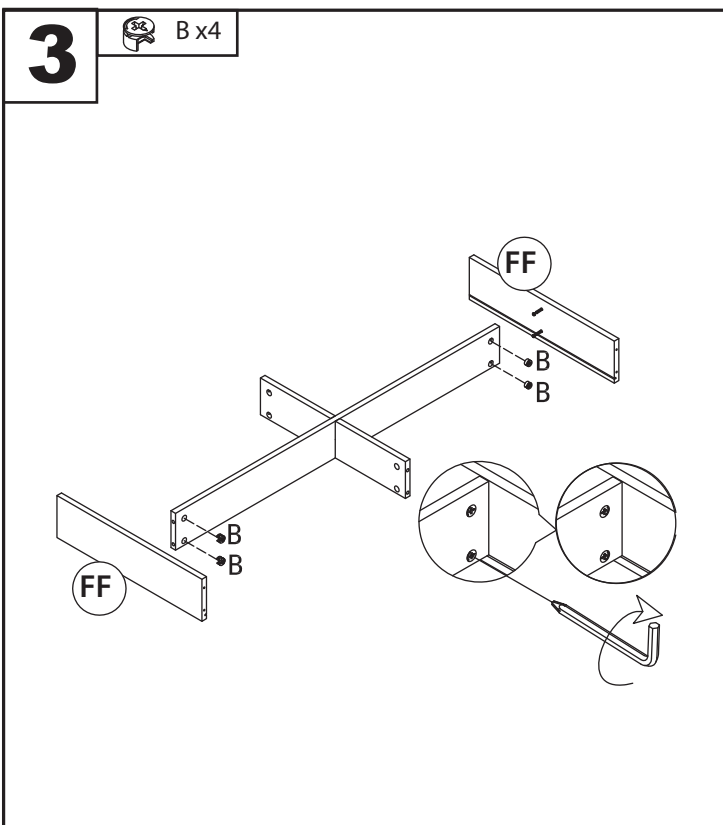
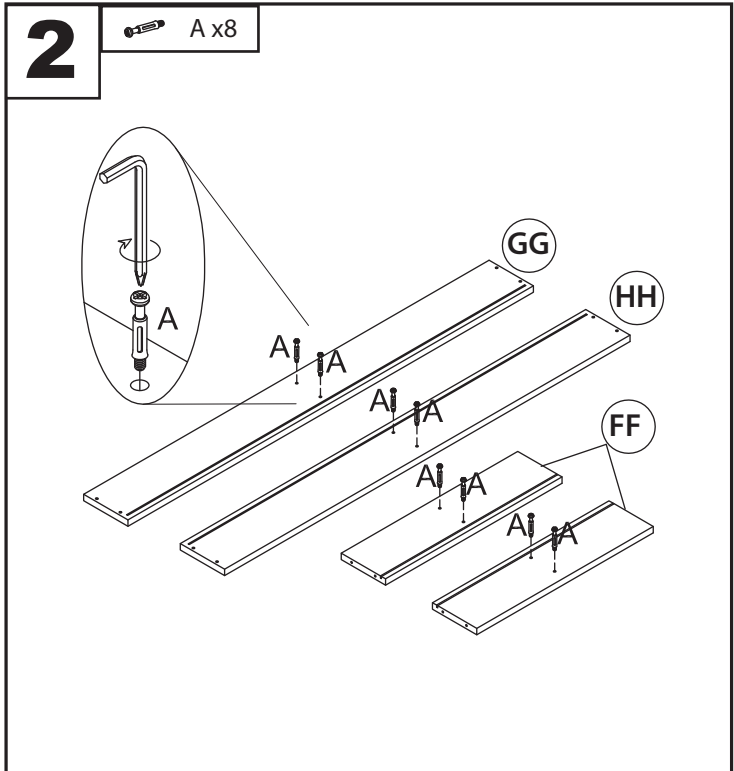
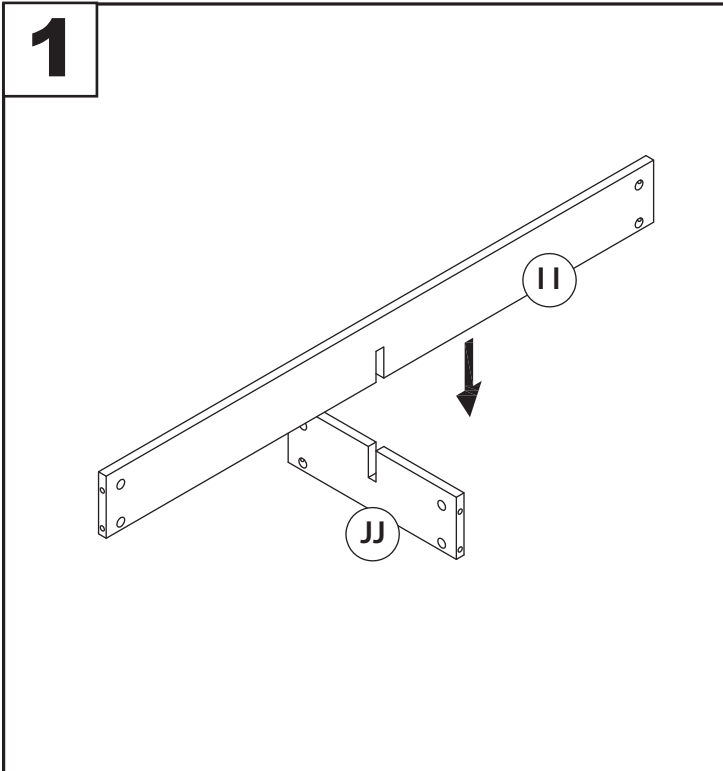
**PARTS**



Do not over tighten.  
Do not use power tools to assemble.

Part # CT-DISPLAY XX+XX

TBC-DISPLAY-210628

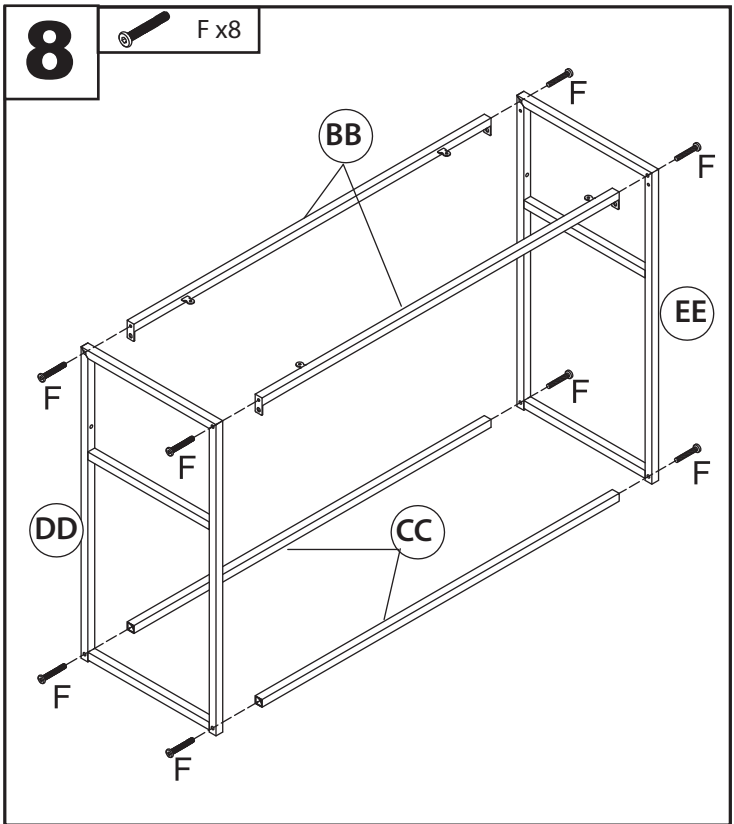
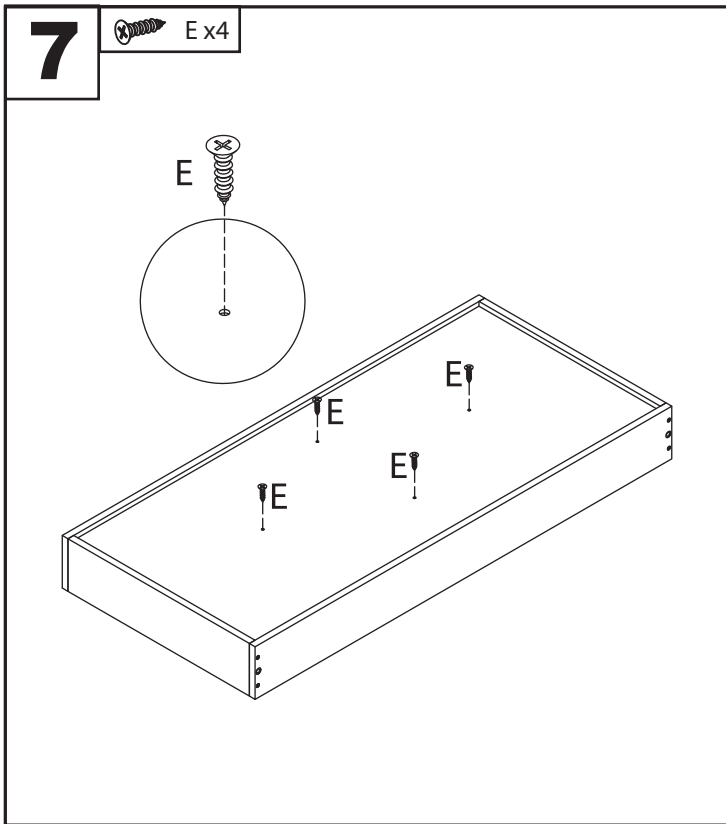
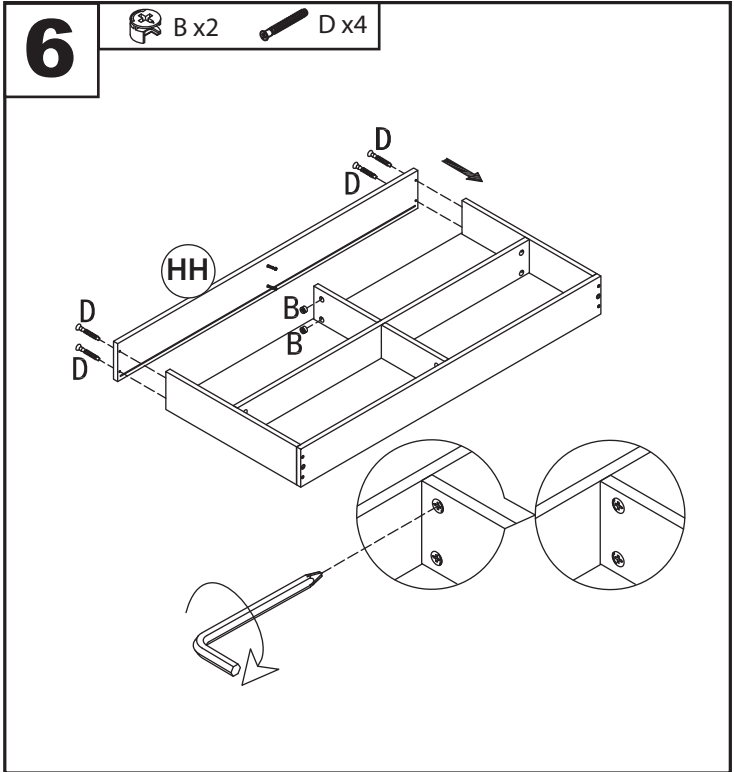
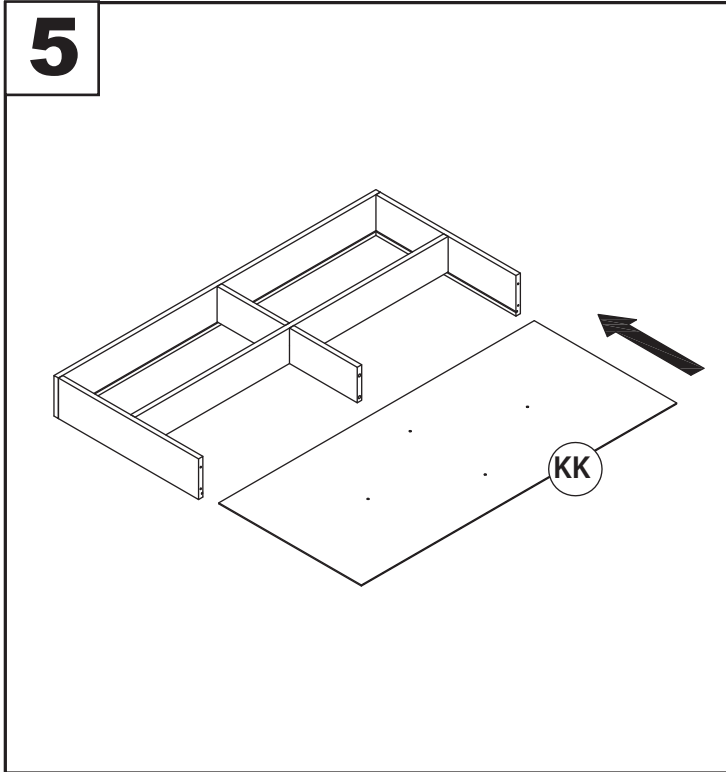


Do not over tighten.  
 Do not use power tools to assemble.

# Display Console Table

Part # CT-DISPLAY XX+XX

CT-DISPLAY-210622

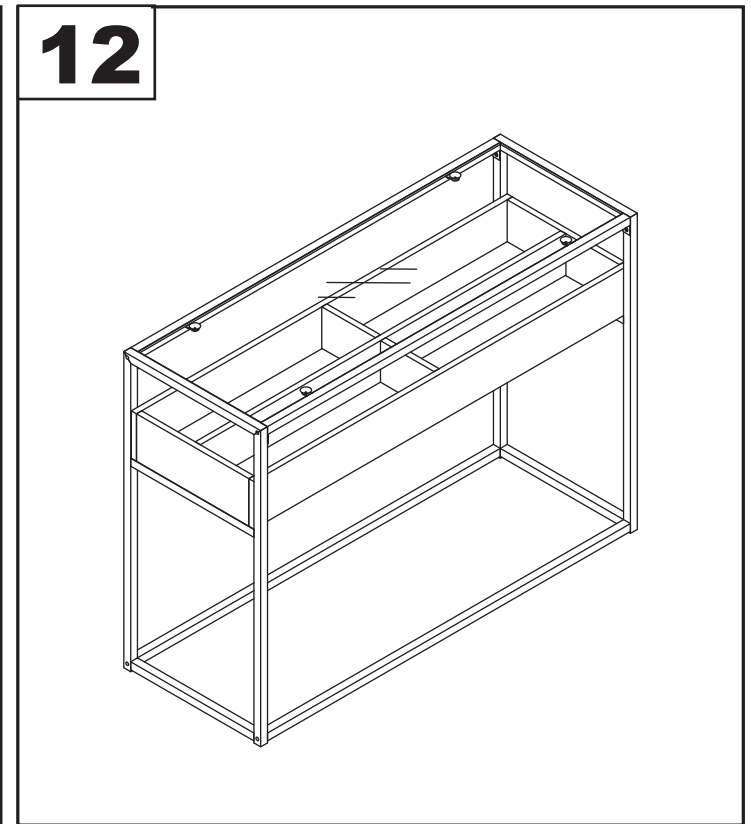
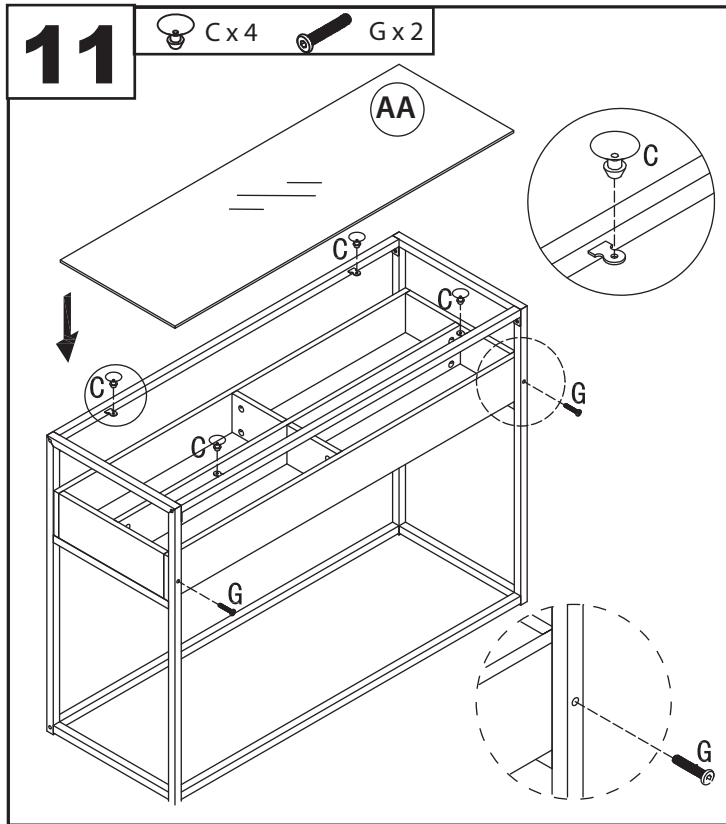
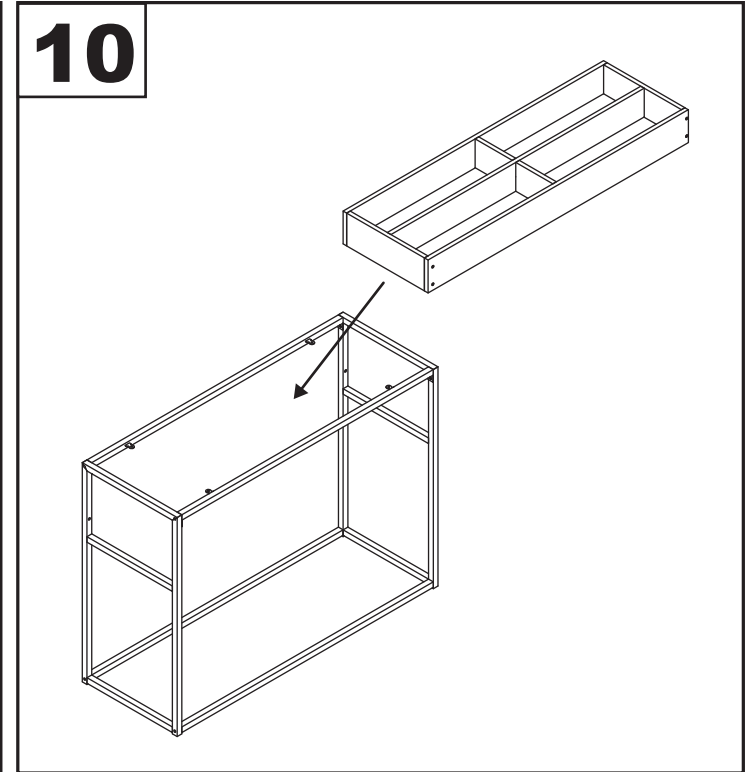
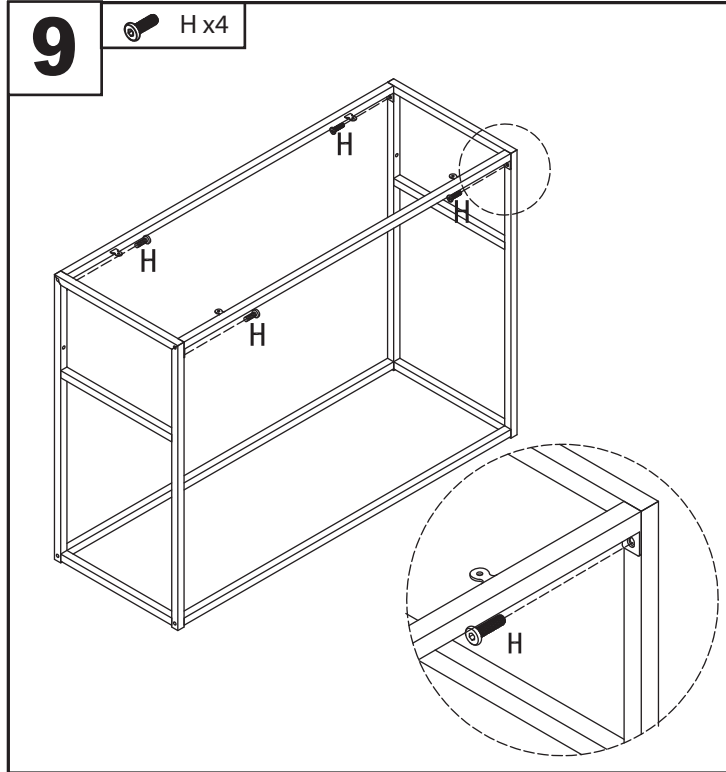


Do not over tighten.  
 Do not use power tools to assemble.

# Display Console Table

Part # CT-DISPLAY XX+XX

CT-DISPLAY-210622



Do not over tighten.  
 Do not use power tools to assemble.