

# Canary Counter Table

Part # T36-CANARY XX+XX

20-0916

**PARTS**



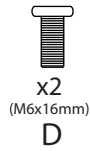
A



B



C



x2  
(M6x16mm)  
D



x4  
(M6x14mm)  
E

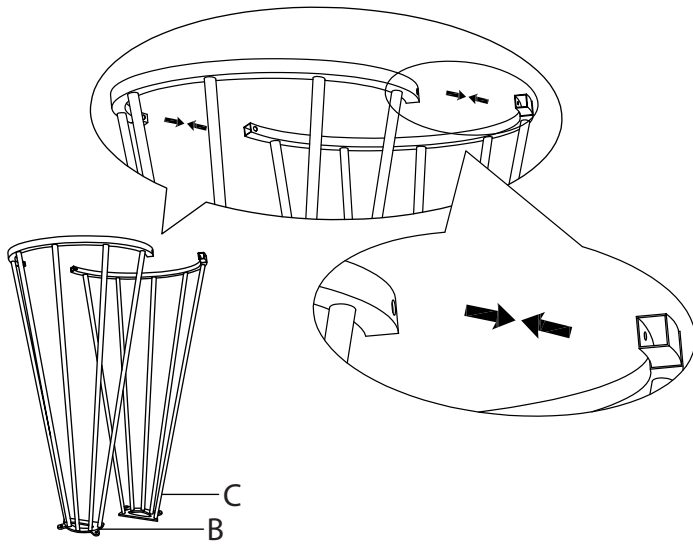


x4  
F

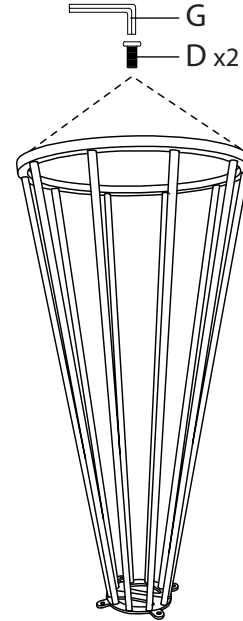


G

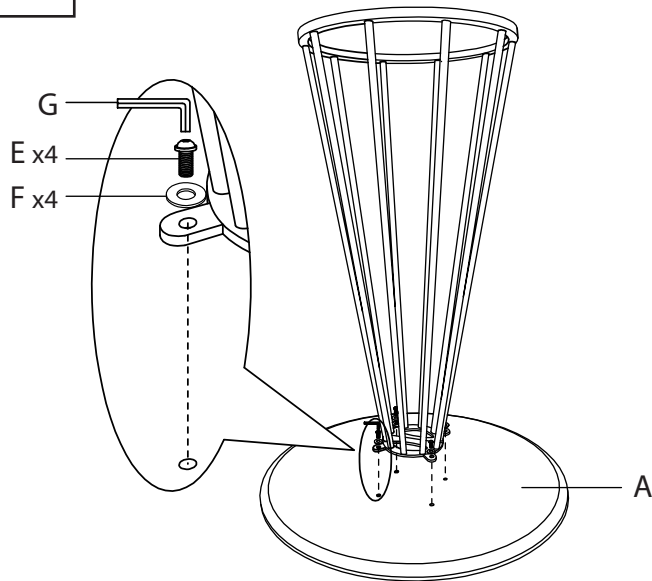
**1**



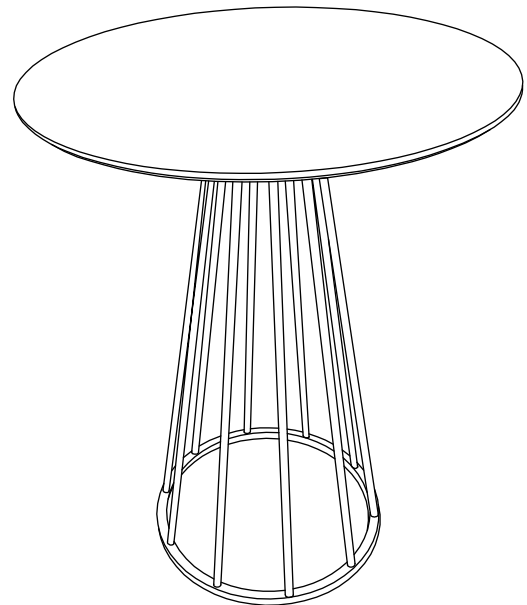
**2**



**3**



**4**



Do not over tighten.  
Do not use power tools to assemble.