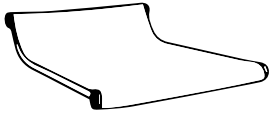


# Mirage Ale Bar Stool

Part # BS-MIR-ALE XX

21-0907

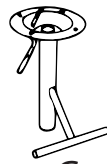
**PARTS**



A



B



C



D

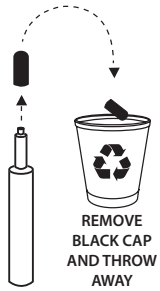


x4  
(M6x16mm)

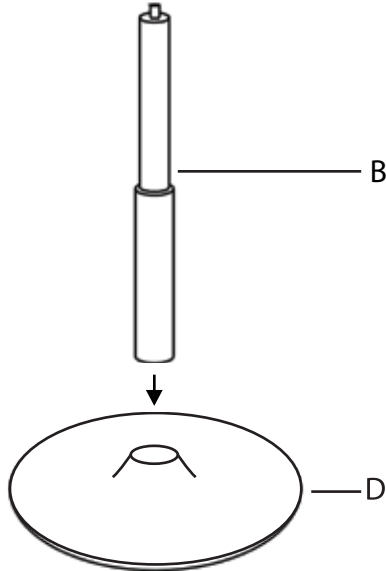


F

**1**



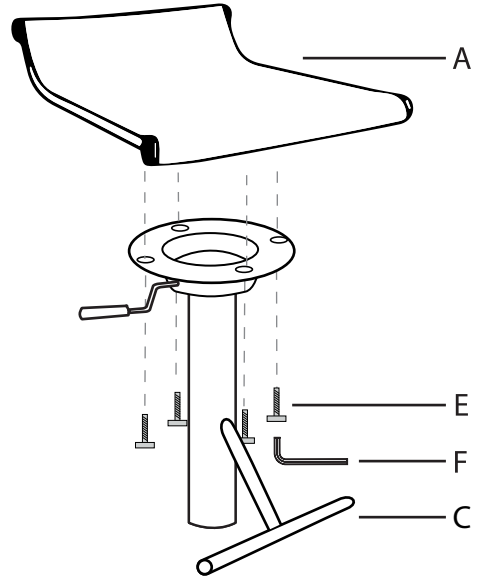
REMOVE  
BLACK CAP  
AND THROW  
AWAY



B

D

**2**



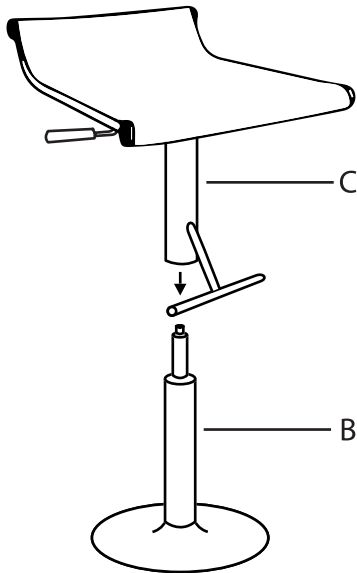
A

E

F

C

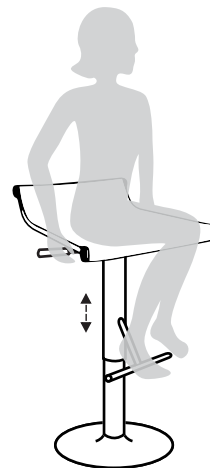
**3**



C

B

**4**



SIT TO SECURE



Do not over tighten.  
Do not use power tools to assemble.