




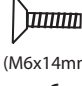




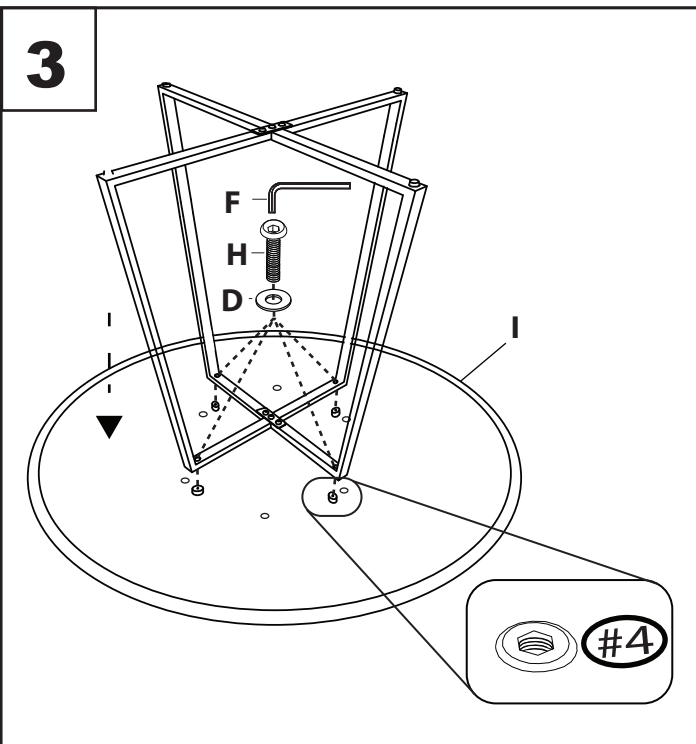
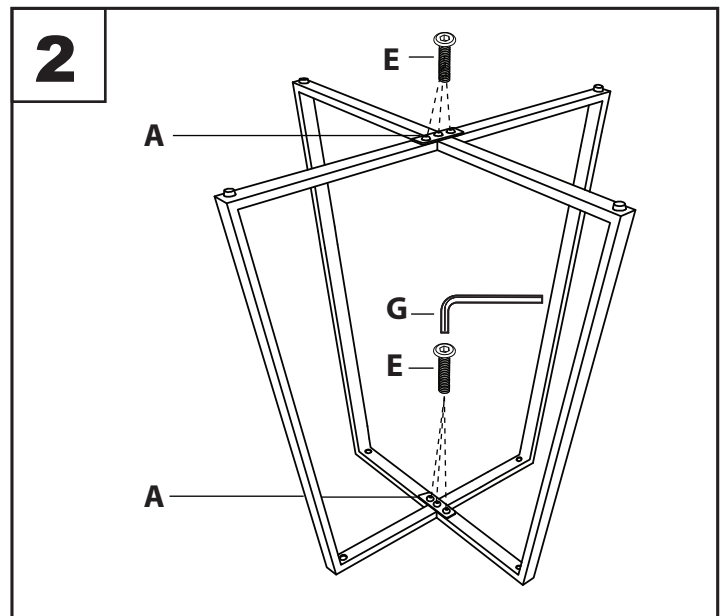
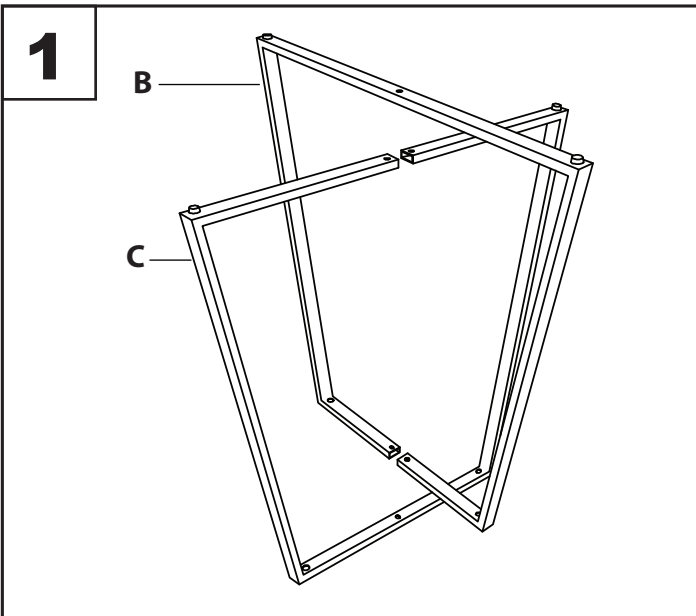


# Cosmo Dining Table

Part # DT-COSMO2 XX+XX

20-0319

PARTS							NON-GLASS TOP	GLASS TOP	<b>#4</b> 
									
x2 <b>A</b>	<b>B</b>	<b>C</b>	x4 <b>D</b>	x6 <b>E</b> (M6x14mm)	(5mm) <b>F</b>	(4mm) <b>G</b>	x4 <b>H(1)</b> (M6x25mm)	x4 <b>H(2)</b> (M8x25mm)	



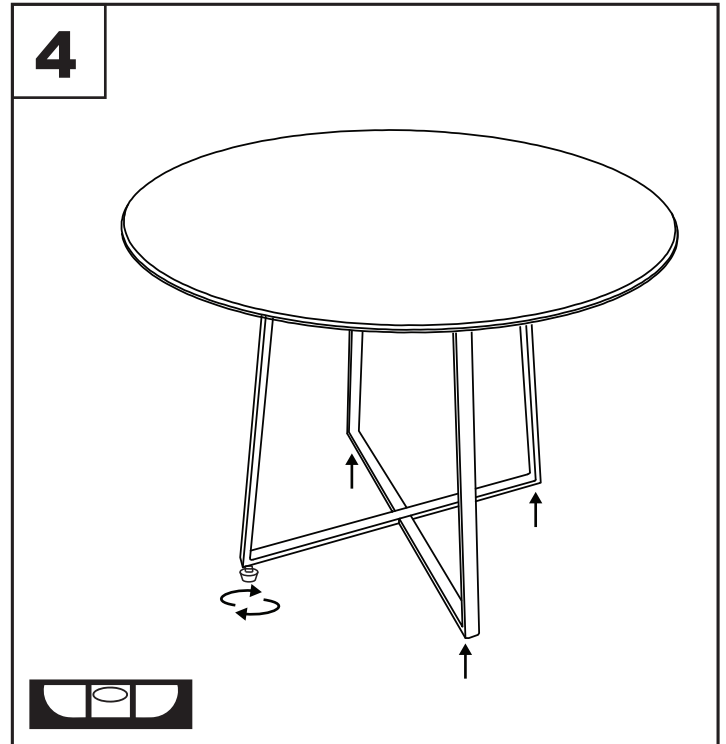
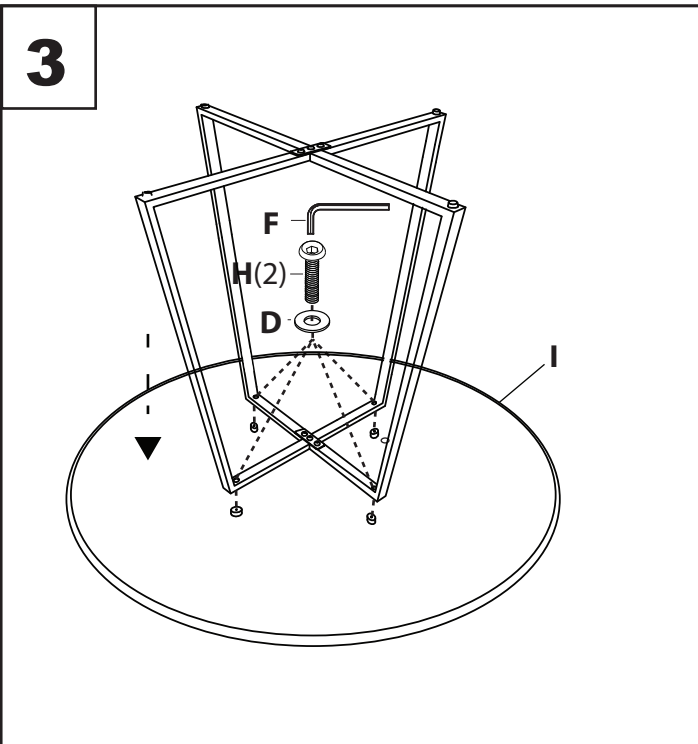
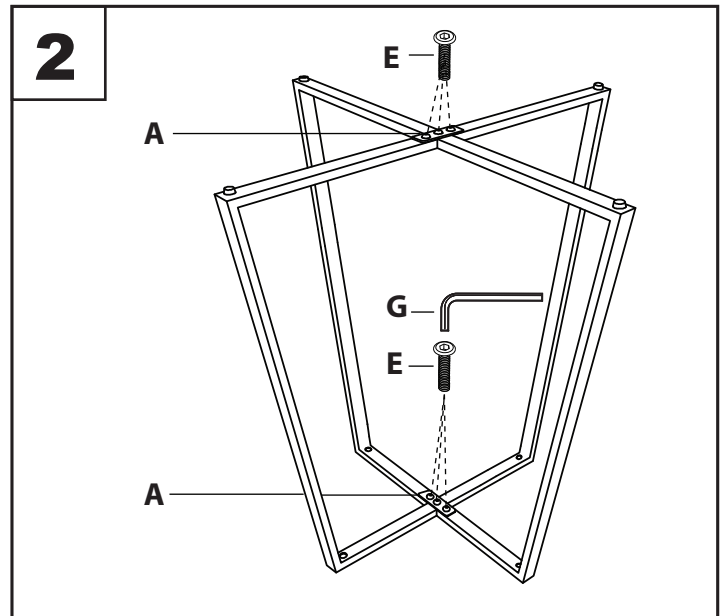
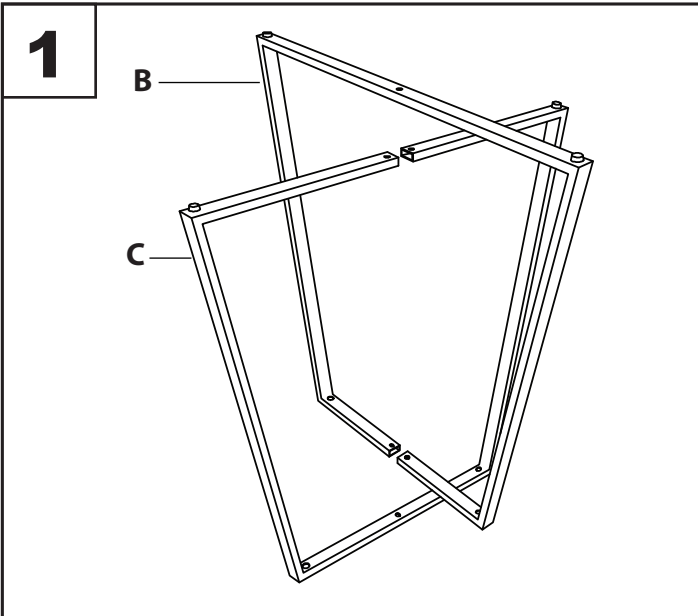
Do not over tighten.  
Do not use power tools to assemble.

# Cosmo Dining Table

Part # DT-COSMO2 XX+XX

20-0319

PARTS							NON-GLASS TOP	GLASS TOP	(Glass top)
x2			x4	x6 (M6x14mm)	(5mm)	(4mm)	x4 (M6x25mm)	x4 (M8x25mm)	
<b>A</b>	<b>B</b>	<b>C</b>	<b>D</b>	<b>E</b>	<b>F</b>	<b>G</b>	<b>H(1)</b>	<b>H(2)</b>	<b>I</b>



Do not over tighten.  
 Do not use power tools to assemble.