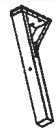


Part # BC-FOLIA XX+XX

21-0503

**PARTS**



x4  
A



B



C



D



x12  
(M8x35mm)  
E



x4  
(M8x15mm)  
F

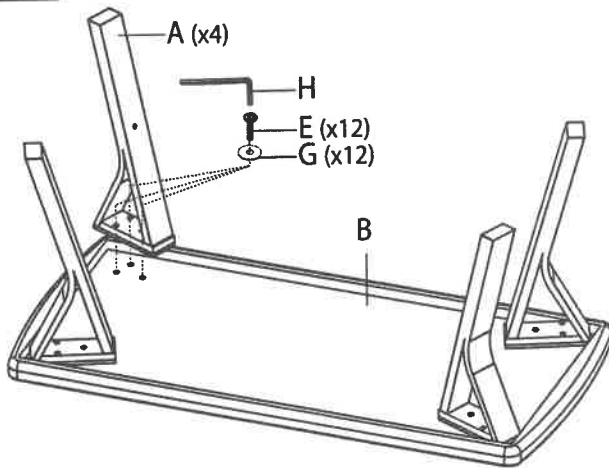


x12  
G

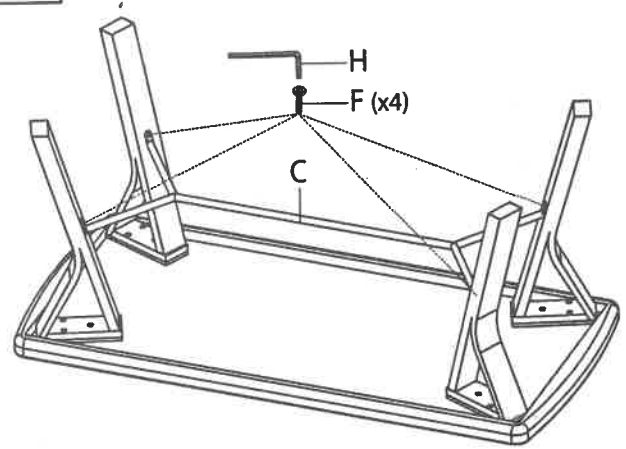


H

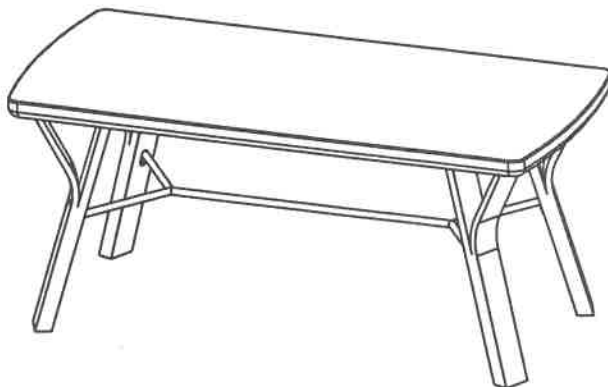
**1**



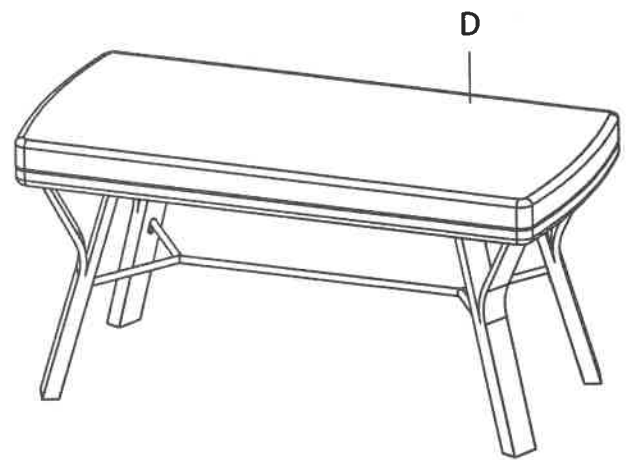
**2**



**3**



**4**



Do not over tighten.  
 Do not use power tools to assemble.