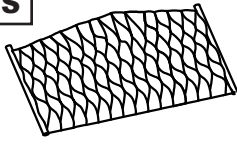


Part # HBT-BRAIDMAT XX+XX

21-0929

PARTS

A



B



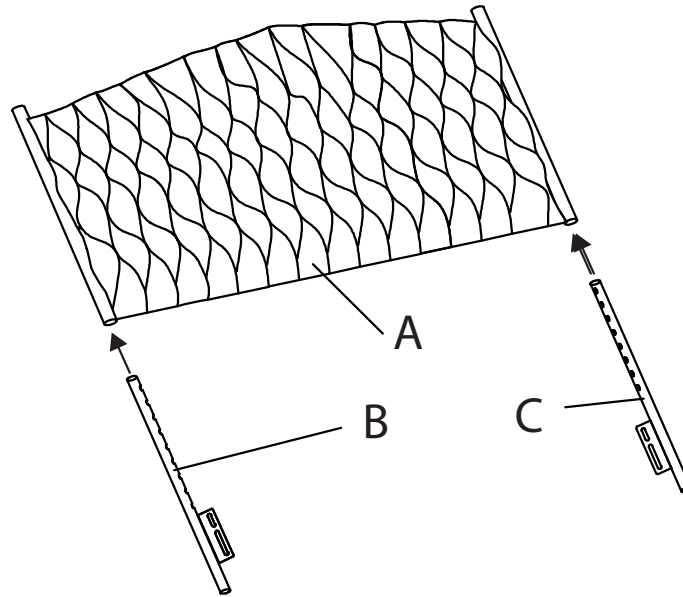
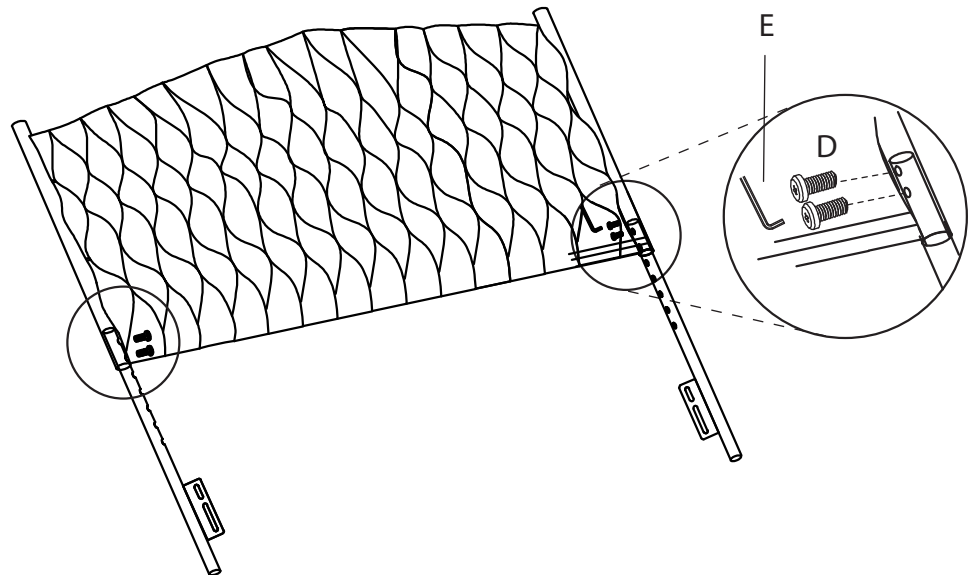
C

x4
(M8x16mm)

D



E

1**2**

Do not over tighten.
Do not use power tools to assemble.