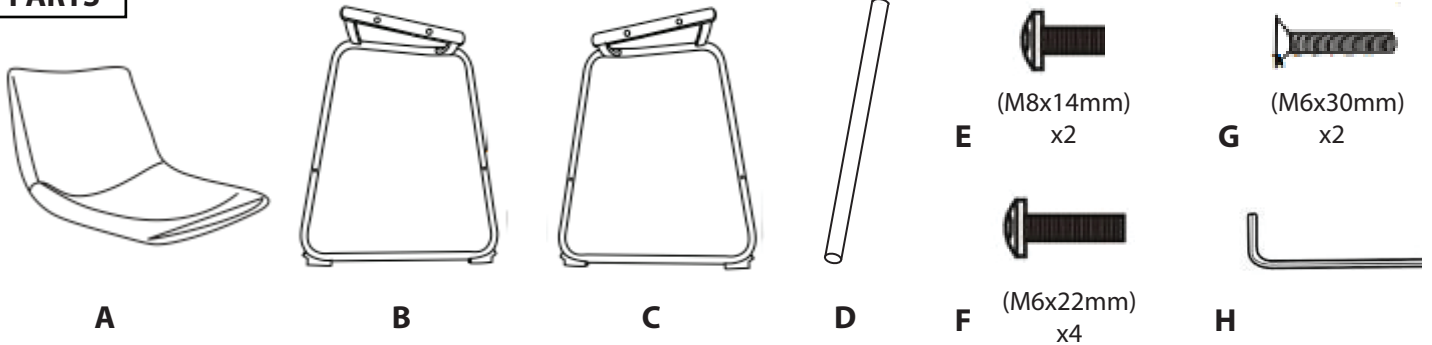


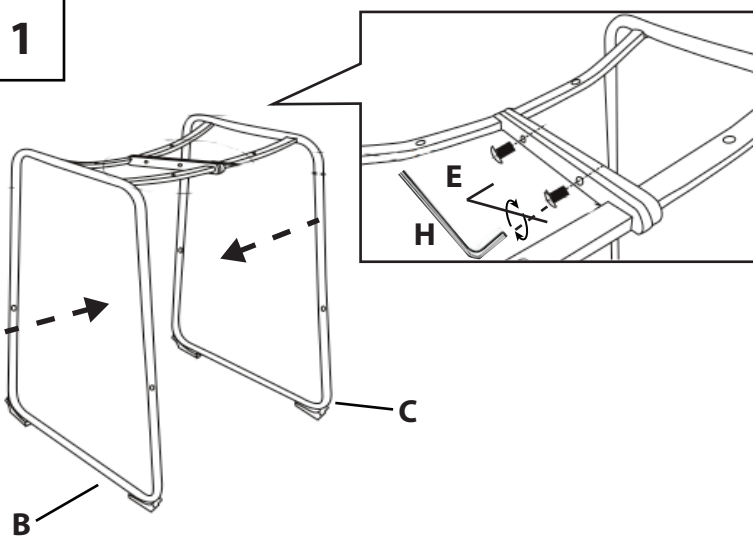
Part # CH-DUKE XXXX

22-1114

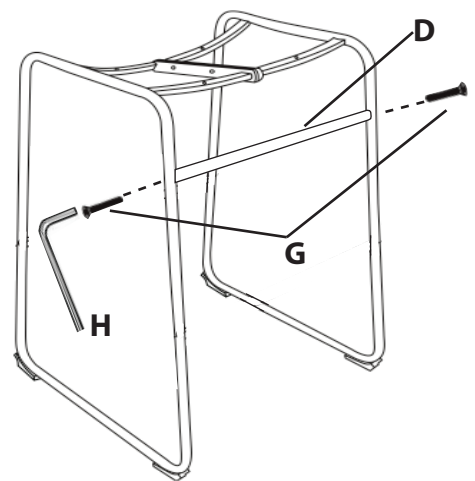
PARTS



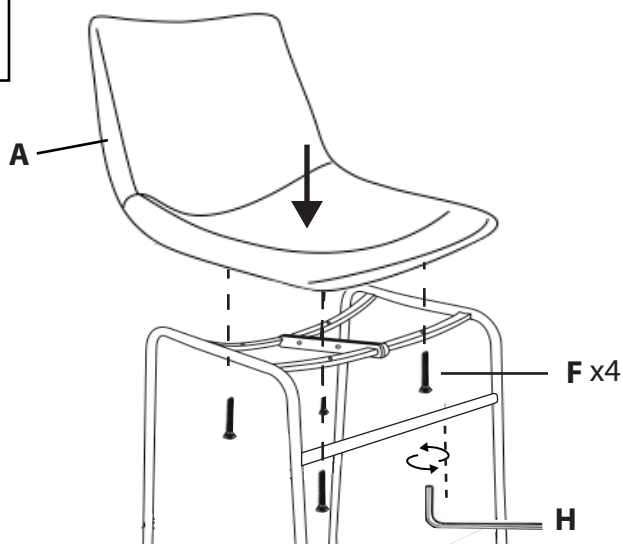
1



2



3



⚠️ WARNING:

- Read all instructions carefully and completely before assembly and use. Retain for future reference.
- Keep plastic bags and small parts away from children.
- DO NOT use power tools.
- DO NOT overtighten hardware.

- Periodically check for loose hardware; retighten as necessary.
- DO NOT use product if any component becomes damaged.
- For residential (non-commercial) use only.
- Max weight limit 250 lbs.
- DO NOT stand on product. Use only for intended purpose.