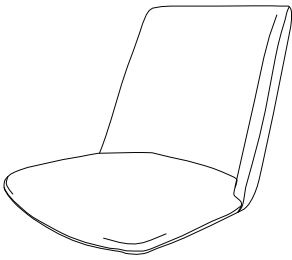


Wanda Chair

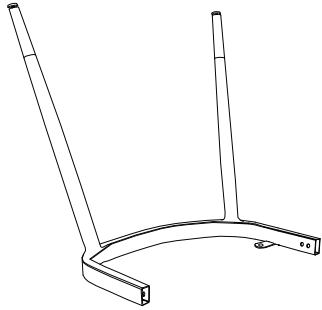
Part #CH-WANDA XX

20-0129

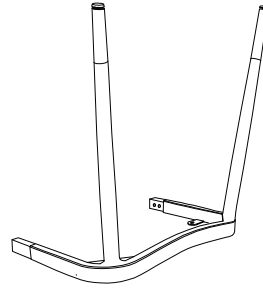
PARTS



A



B



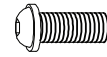
C



D M6 20 mm
x4



F x8

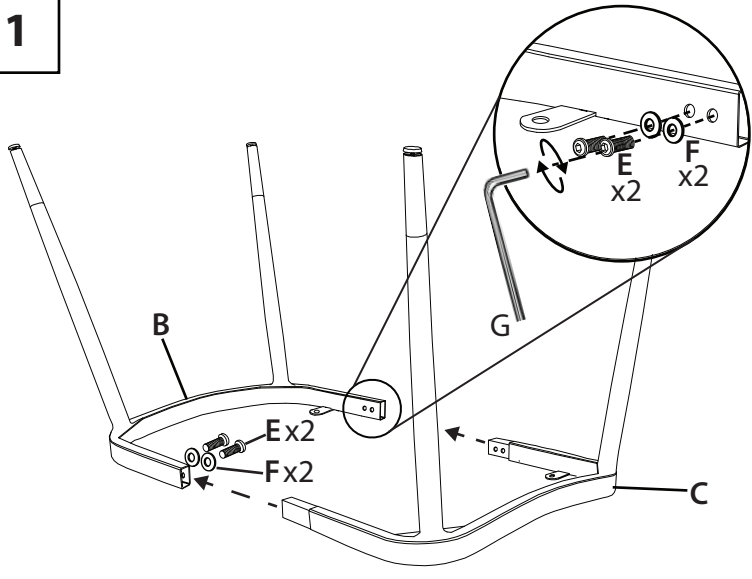


E M6 12 mm
x4



G

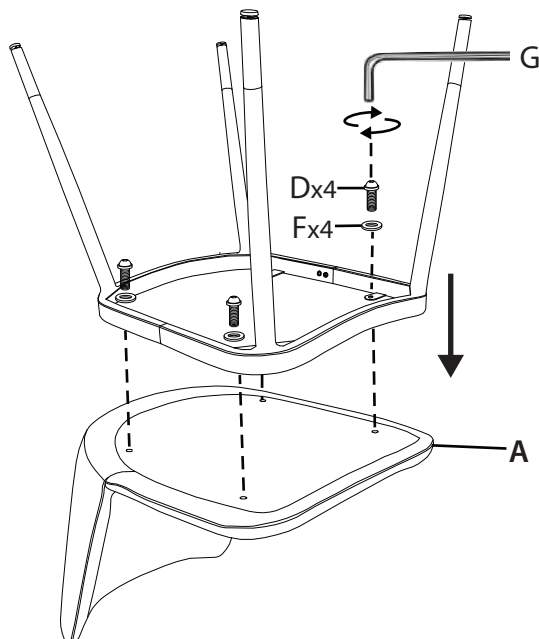
1



3



2



Do not over tighten.
 Do not use power tools to assemble.