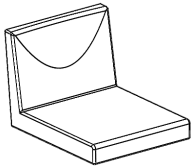


Fuji High Back Bar Stool

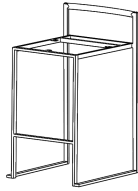
Part # B30-FUJIHB XXXX

21-0825

PARTS



A



B



x3
 (M6x15mm)

C



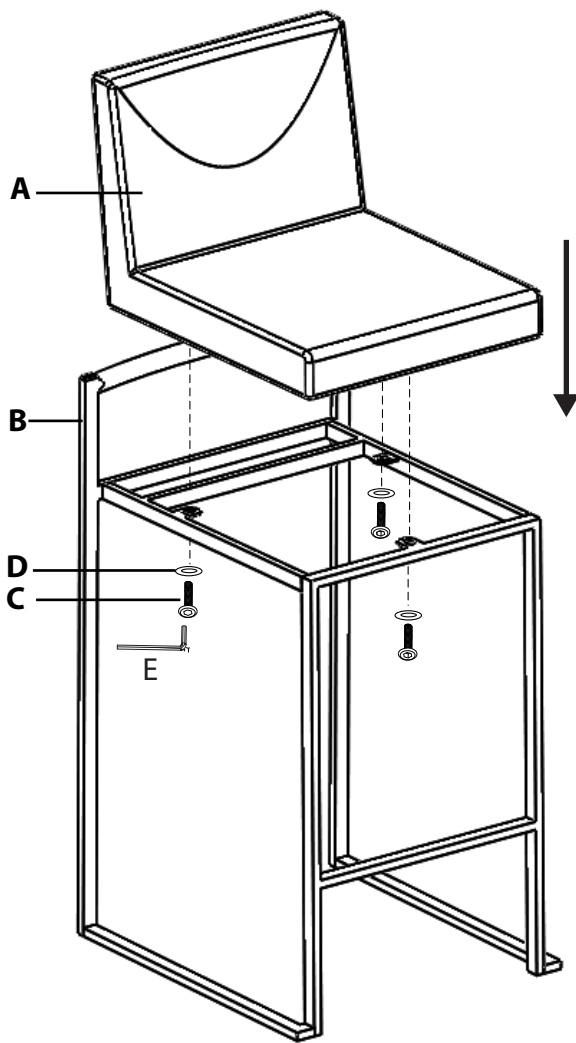
x3

D

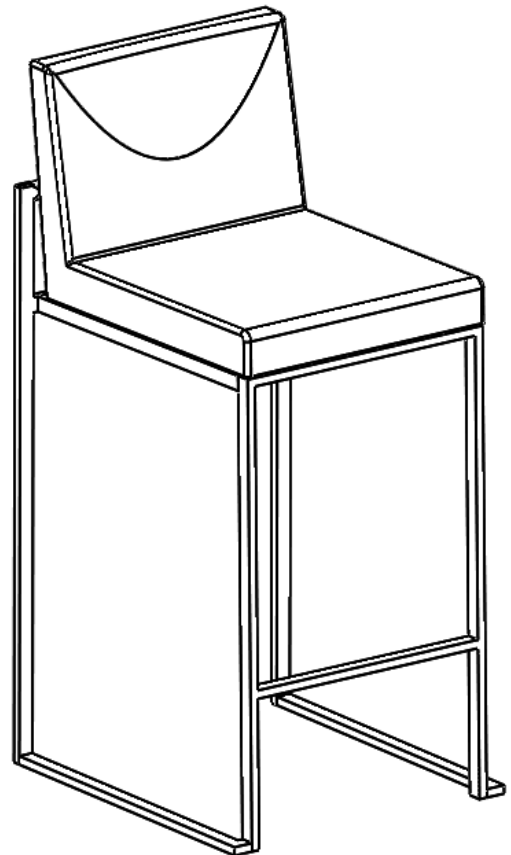


E

1



2



Do not over tighten.
 Do not use power tools to assemble.