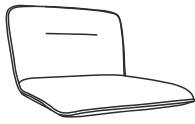


# Casper Counter Stool

Part # B26-CASPER XX+XX

20-1020

**PARTS**



A



B



C



x2  
D



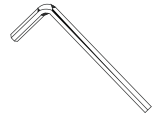
x4  
(M6x30mm)  
E



x2  
(M6x18mm)  
F

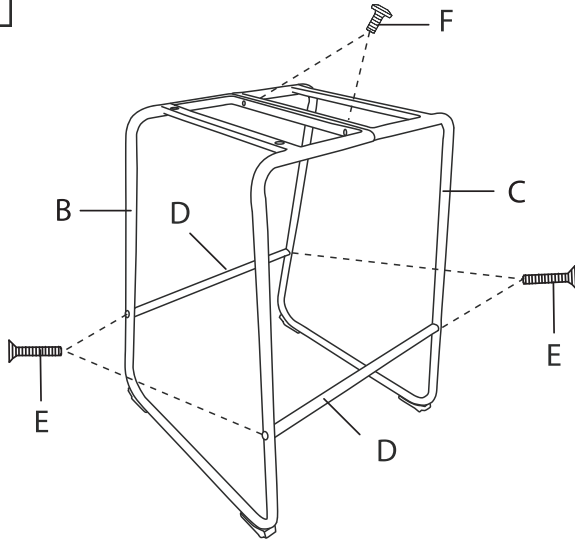


x4  
(M6x22mm)  
G

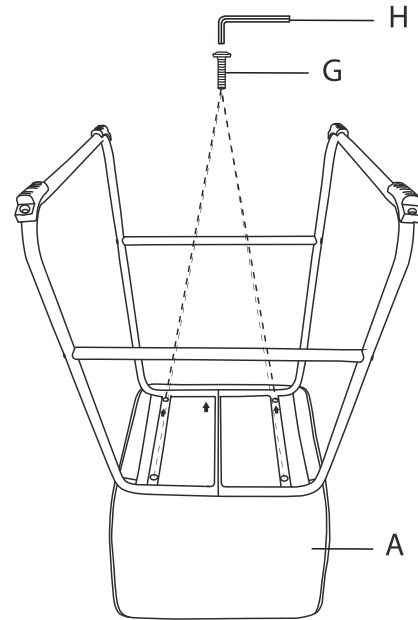


H

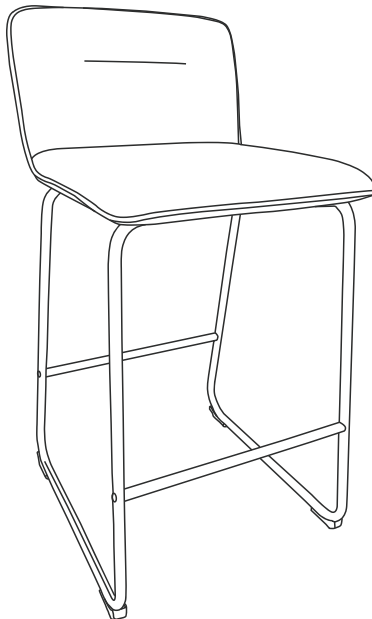
**1**



**2**



**3**



Do not over tighten.  
 Do not use power tools to assemble.