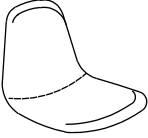











Part #L23/27-CLAIRE XX

21-1014

 <p>(Seat May Vary)</p> <p>A</p>	<p>PARTS</p>								
 <p>B</p>	 <p>C</p>	 <p>D</p>	 <p>x2</p> <p>E</p>	 <p>x3 (M6x20mm)</p> <p>F</p>	 <p>x4 (M6x30mm)</p> <p>G</p>	 <p>x6 (M6x16mm)</p> <p>H</p>	 <p>I</p>		

1  **80% tighten**

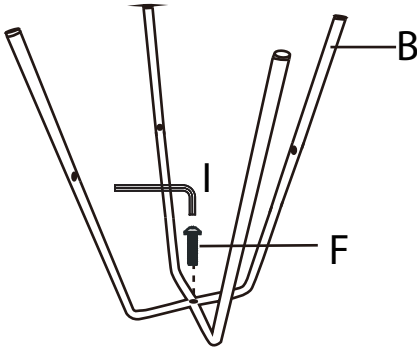



Diagram 1 shows a leg (B) being attached to the base plate (C) using a bolt (F) and an L-shaped bolt (I). The seat (A) is shown above the base plate.

2  **80% tighten**

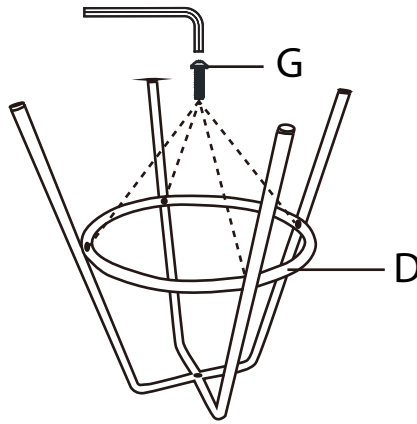


Diagram 2 shows a ring (D) being attached to the legs (B) using a bolt (G). The base plate (C) is shown above the ring.

3

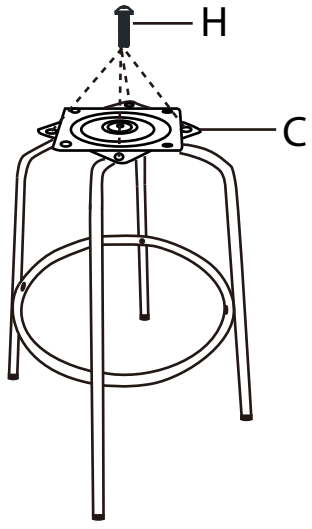



Diagram 3 shows the base plate (C) being attached to the legs (B) using bolts (H). The ring (D) is shown above the base plate.

 **100% tighten ALL**

4

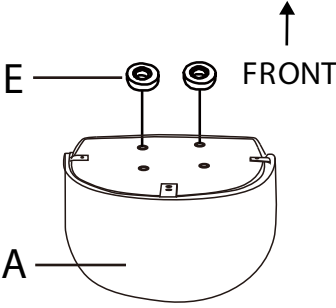


Diagram 4 shows the seat (A) with two washers (E) being attached to the top surface. An arrow points to the front of the seat.

5

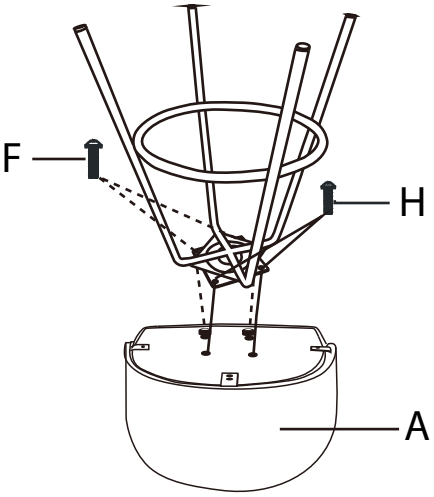


Diagram 5 shows the seat (A) being attached to the base plate (C) using bolts (F) and bolts (H). The ring (D) is shown above the seat.

6

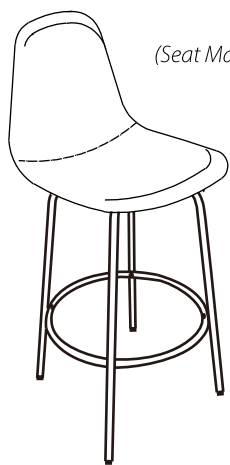


Diagram 6 shows the final assembled chair with the seat (A) and legs (B). The text "(Seat May Vary)" is shown next to the seat.