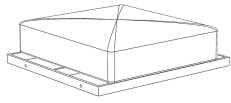


Part # CHR-DRIFT XX+XX

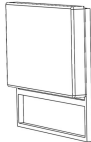
19-0501

PARTS

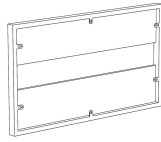
A



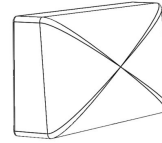
B



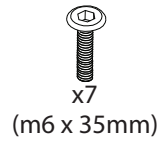
C



D



E



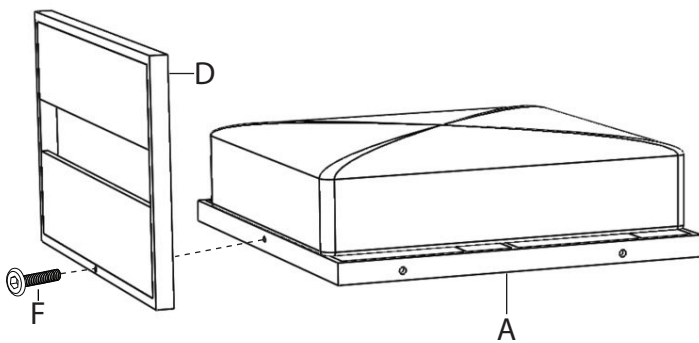
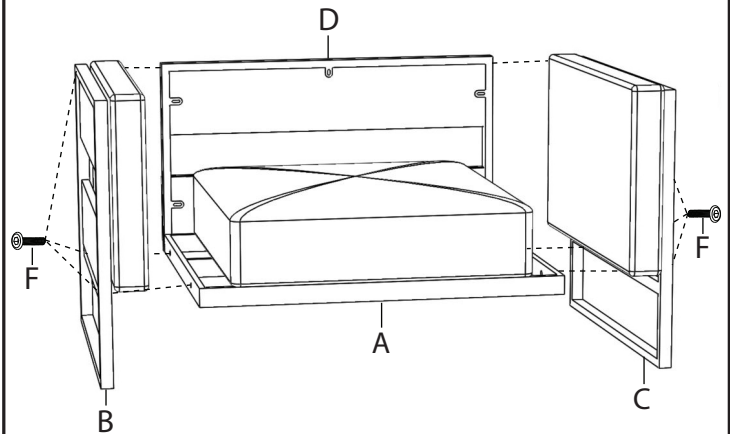
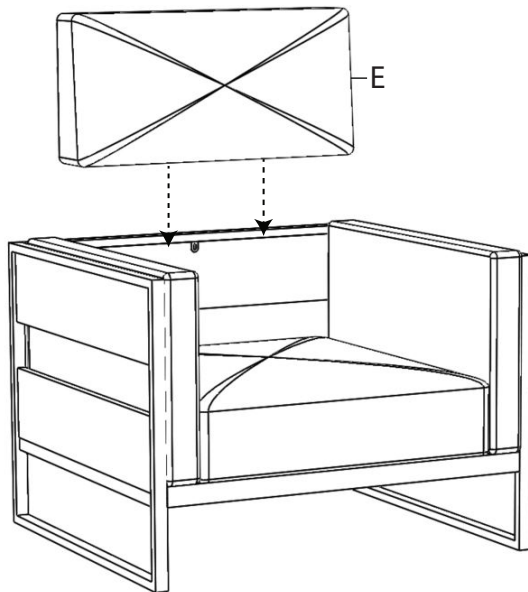
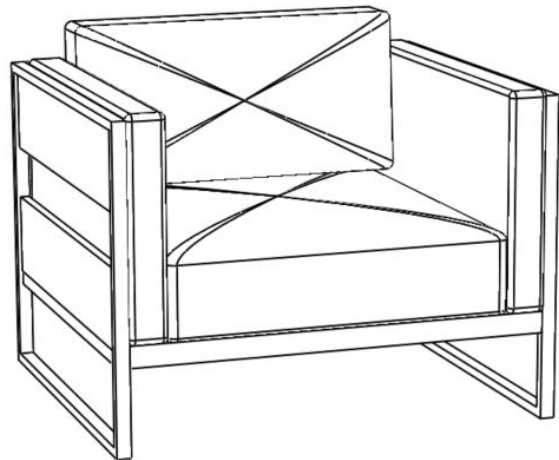
x7

(m6 x 35mm)

F



G

1**2****3****4**

Do not over tighten.
Do not use power tools to assemble.