




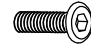

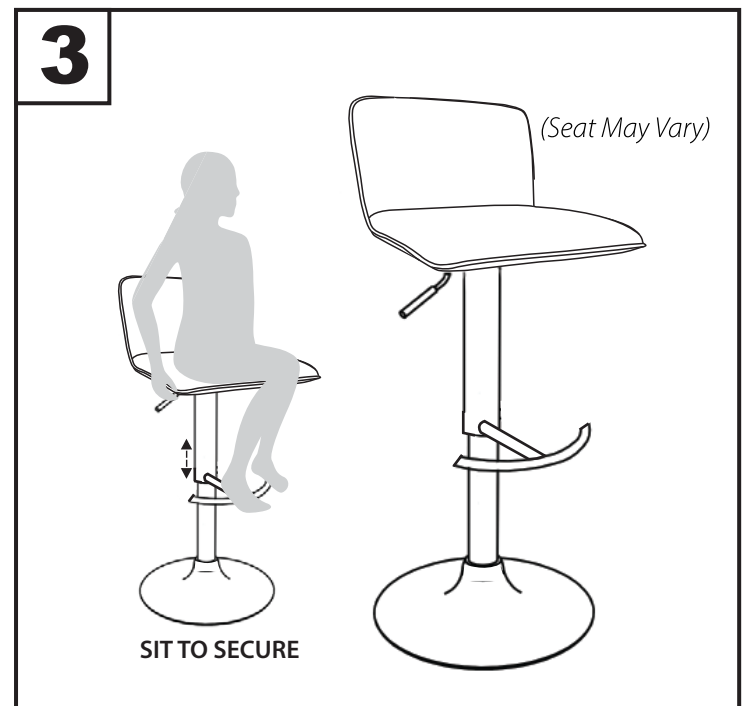
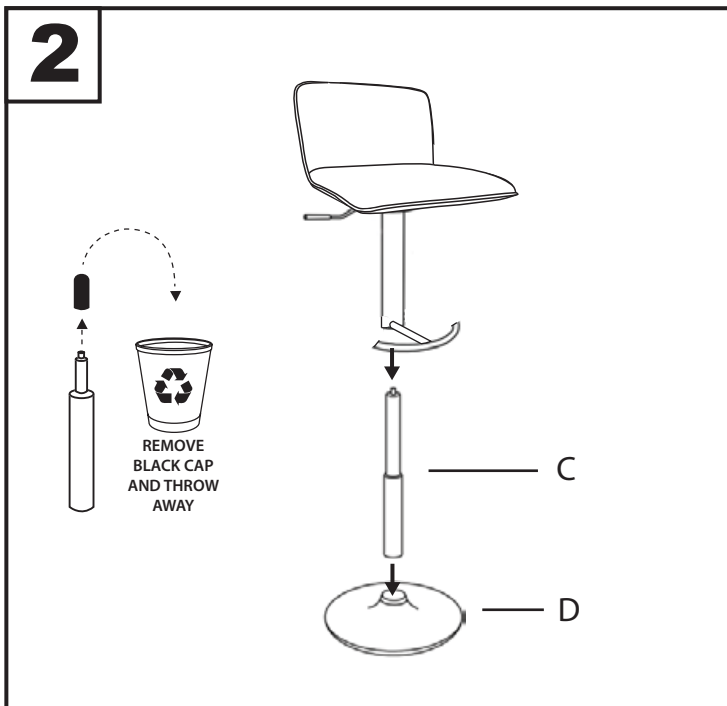
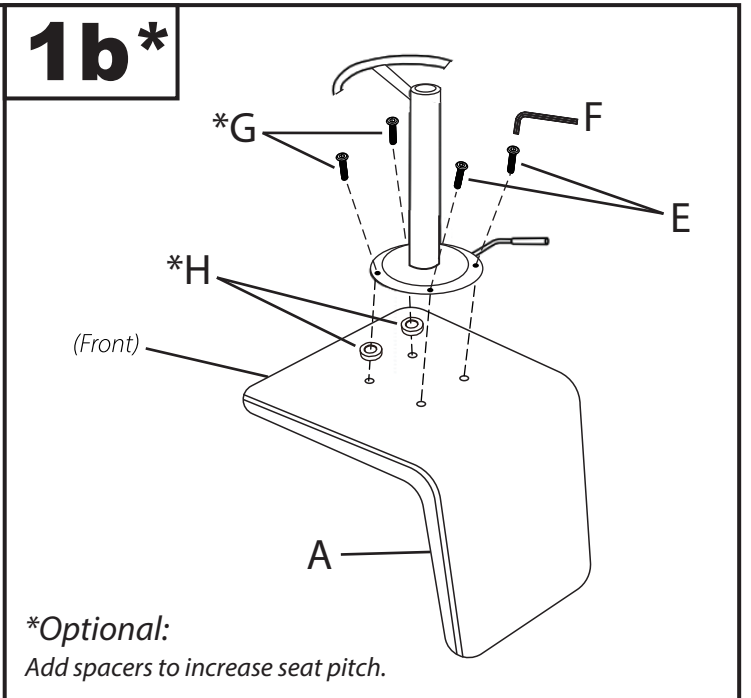
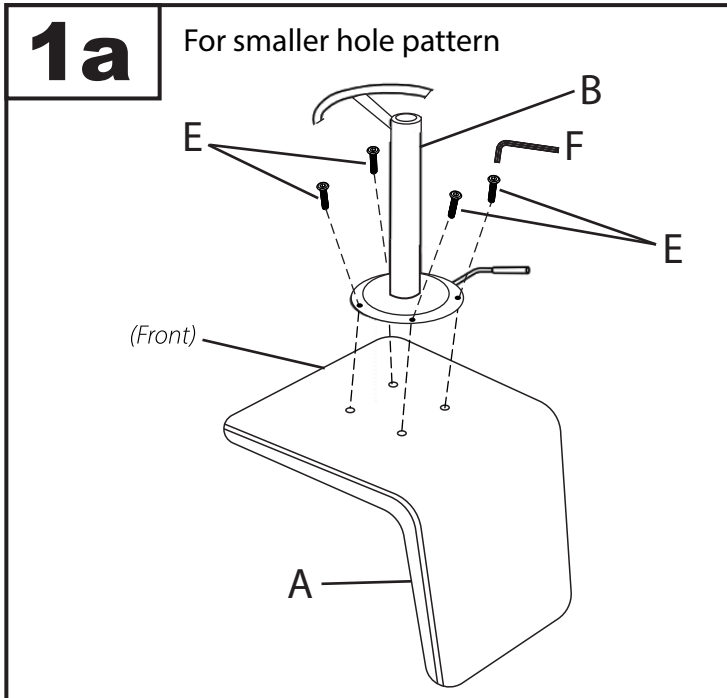


Adjustable Barstool Base - Rounded T

Part # J33-RNT R17 XX+XX

21-1112

 (Seat May Vary) A	PARTS						 x2 (M6x20mm) (Optional) *G
	 B	 C	 D	 x4 (M6x16mm) E	 F		



Do not over tighten.
 Do not use power tools to assemble.