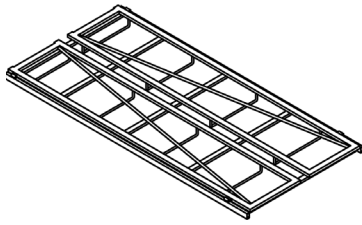


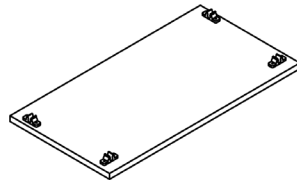
OBC - DKTA XX + XX

18-0109

PARTS



A



x 4
B

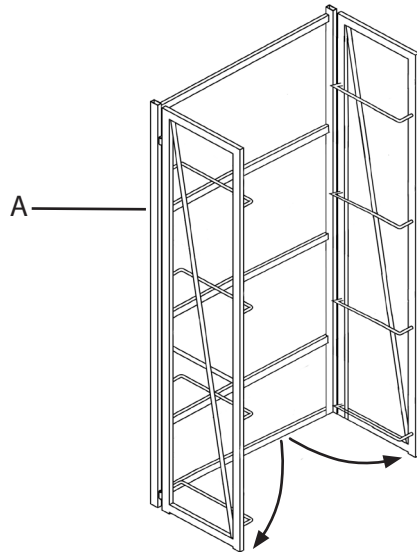


x 2
C

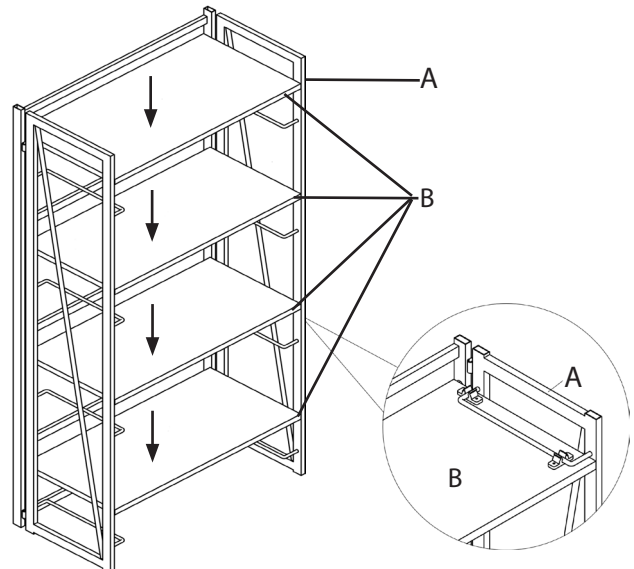


x 2
D

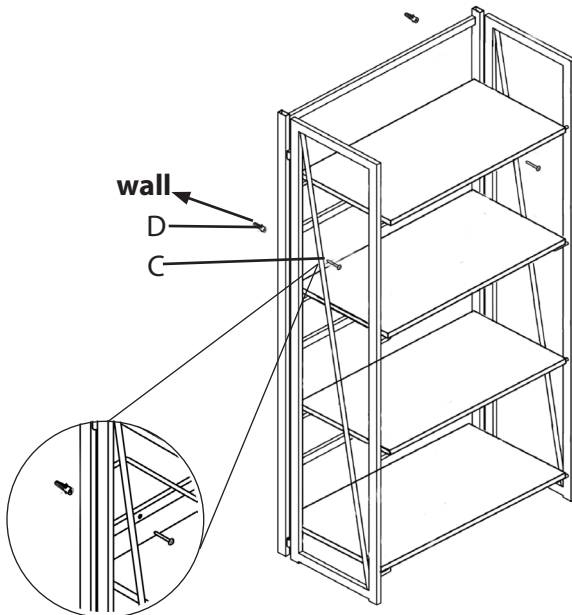
1



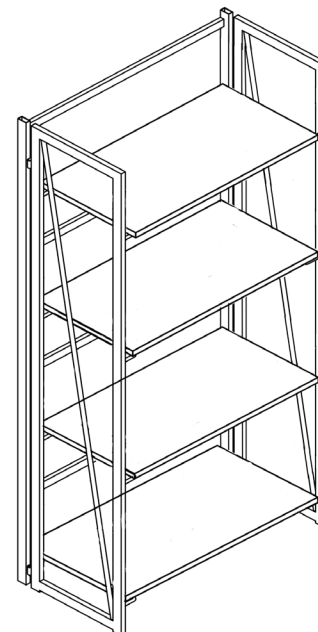
2




3



4



 Do not over tighten.
 Do not use power tools to assemble.