
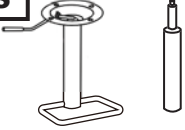


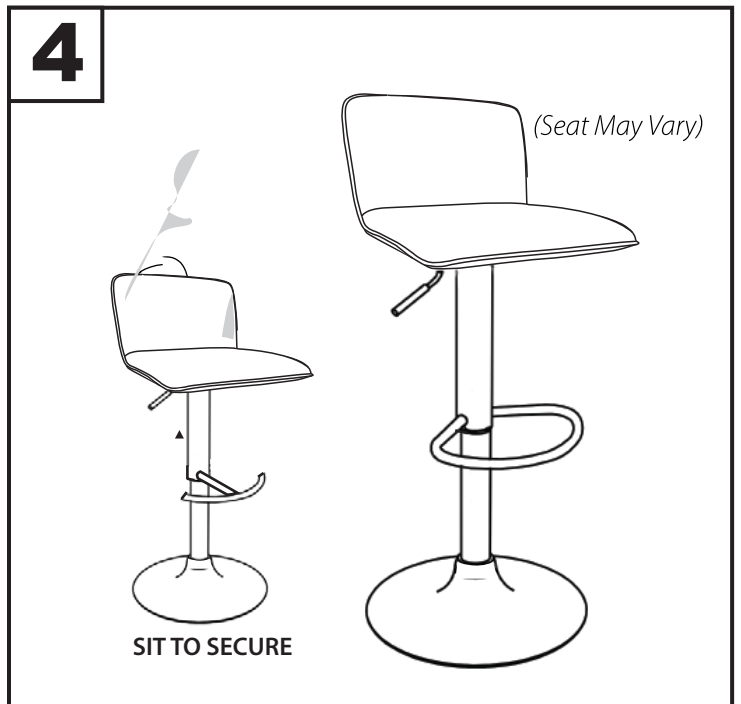
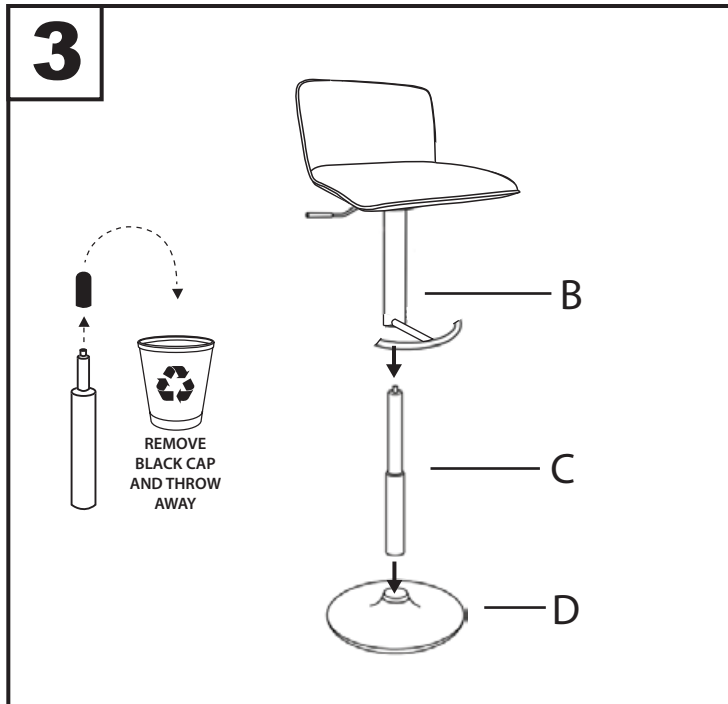
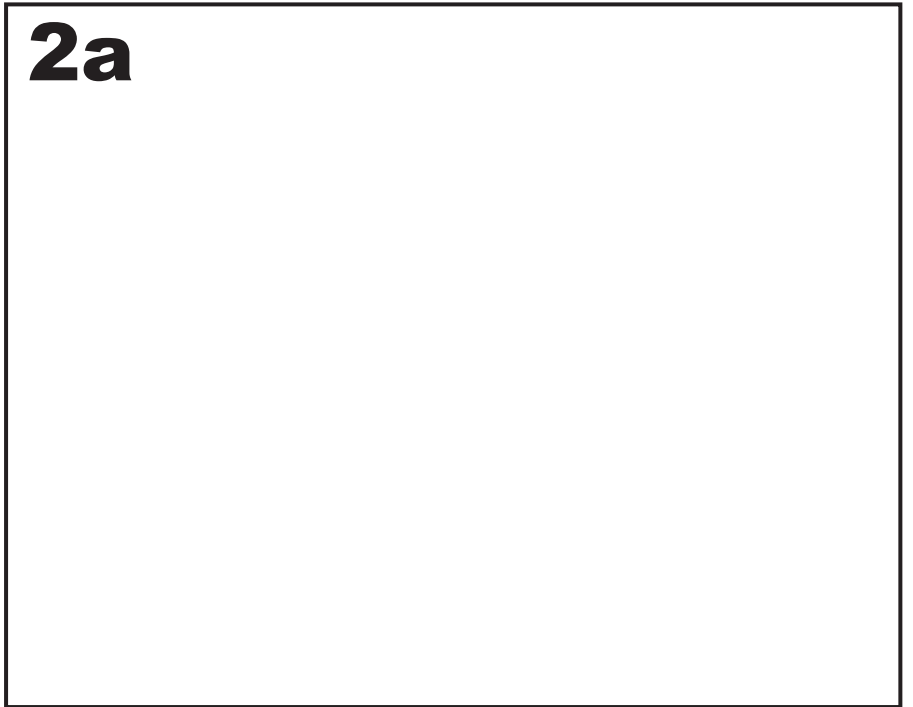
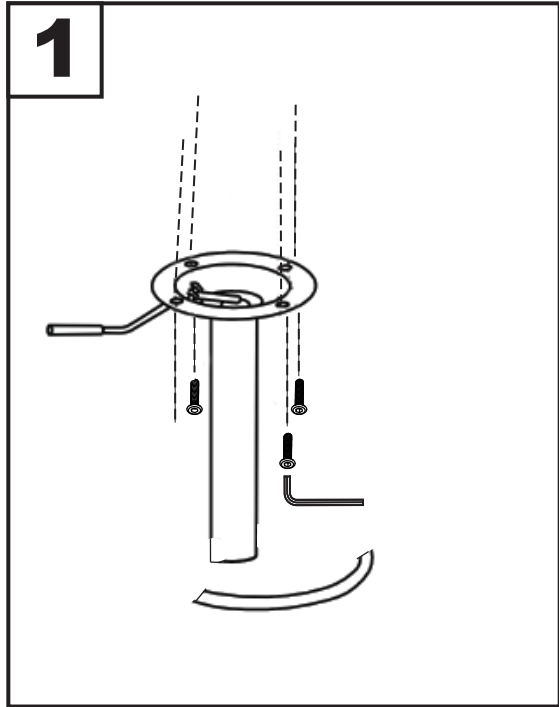


Part # J33-RNREC R17 XX+XX with 3355ADAP

 <p>(Seat May Vary)</p> <p><b>A</b></p>	<p><b>PARTS</b></p>  <p><b>B</b>      <b>C</b></p>	 <p>x4 (M6x16mm)</p> <p><b>E</b></p>		 <p>x4 (M6x12mm)</p> <p>x4</p> <p><b>I</b>      <b>K</b></p>
--	---	---	--	---





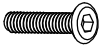

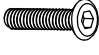



Do not over tighten.  
 Do not use power tools to assemble.

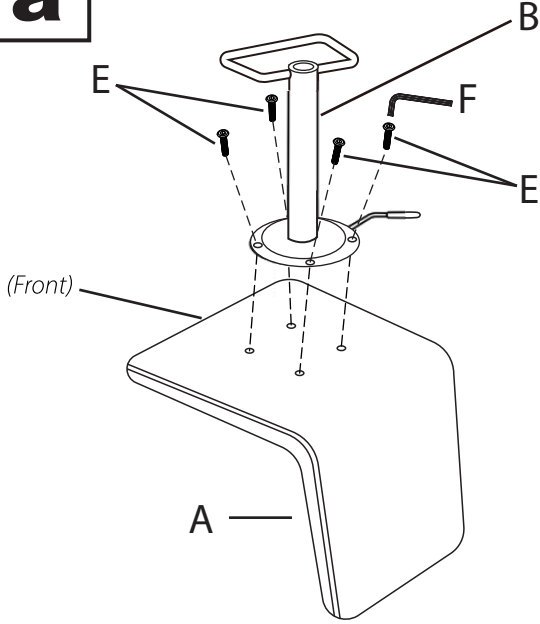
# Adjustable Barstool Base - Rectangle

Part # J33-RNREC R17 XX+XX

21-1116

 <p>(Seat May Vary)</p> <p><b>A</b></p>	<p><b>PARTS</b></p>	 <p><b>B</b></p>	 <p><b>C</b></p>	 <p><b>D</b></p>	 <p>x4 (M6x16mm)</p> <p><b>E</b></p>	 <p><b>F</b></p>	 <p>x2 (M6x20mm) (Optional)</p> <p><b>*G</b></p>	 <p>x2 (Optional)</p> <p><b>*H</b></p>
--	---------------------	---	---	---	---	---	---	---

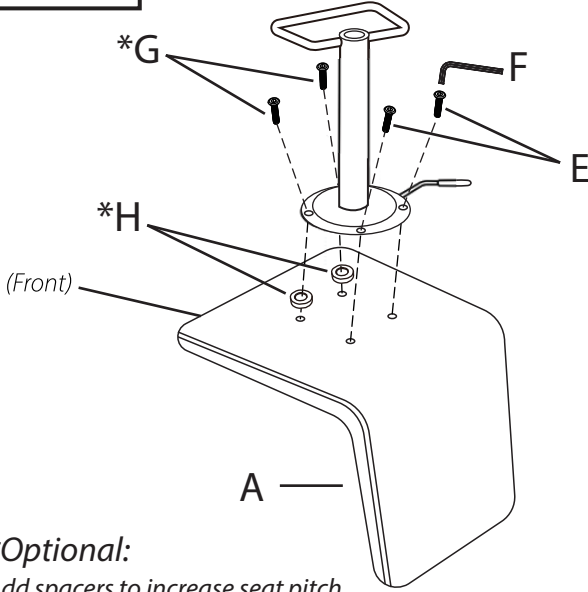
**1a** For smaller hole pattern



(Front)

**A**

**1b\***

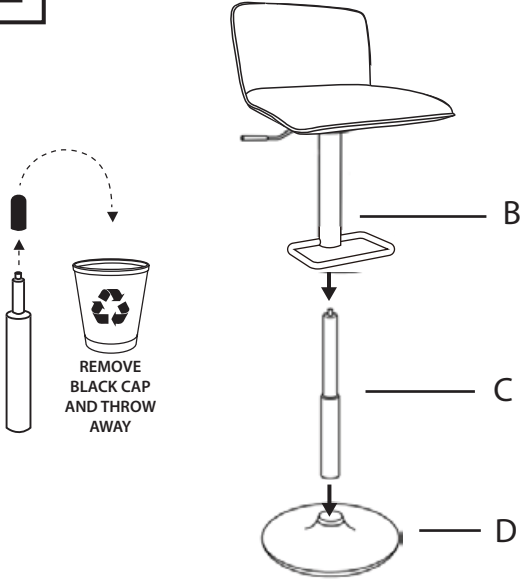


(Front)

**A**

*\*Optional:  
Add spacers to increase seat pitch.*

**2**



REMOVE BLACK CAP AND THROW AWAY

**B**

**C**

**D**

**3**



(Seat May Vary)

SIT TO SECURE



Do not over tighten.  
 Do not use power tools to assemble.