
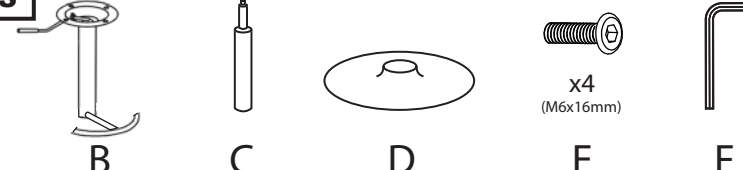



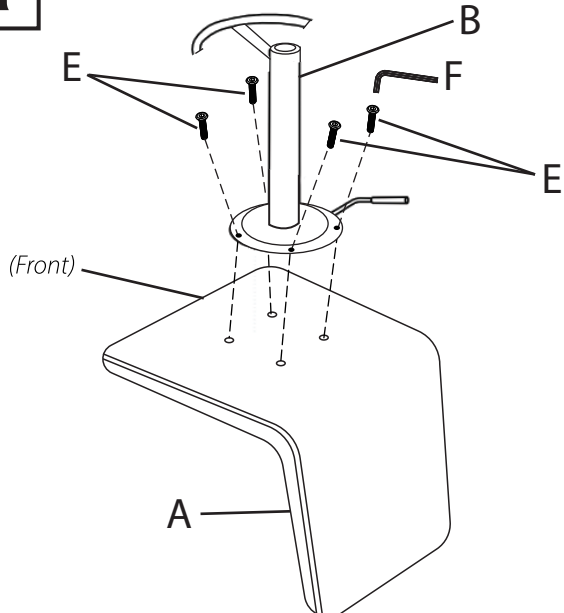
# Adjustable Barstool Base - Rounded T

Part # J33-RNT R17 XX+XX

21-1112

 <p>(Seat May Vary)</p> <p><b>A</b></p>	<p><b>PARTS</b></p>  <p><b>B</b>   <b>C</b>   <b>D</b>   <b>E</b>   <b>F</b></p>						 <p>x2 (M6x20mm) (Optional)</p> <p>x2 (Optional)</p> <p><b>*G</b>   <b>*H</b></p>
--	--	--	--	--	--	--	--

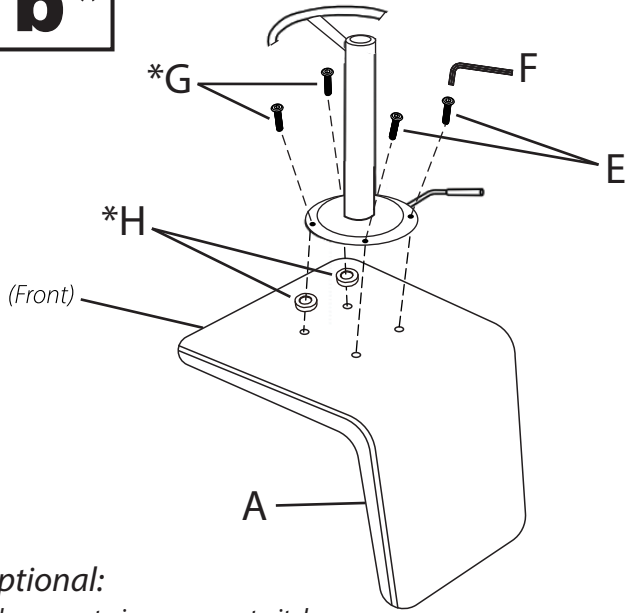
**1a** For smaller hole pattern



(Front)

**A**

**1b\***

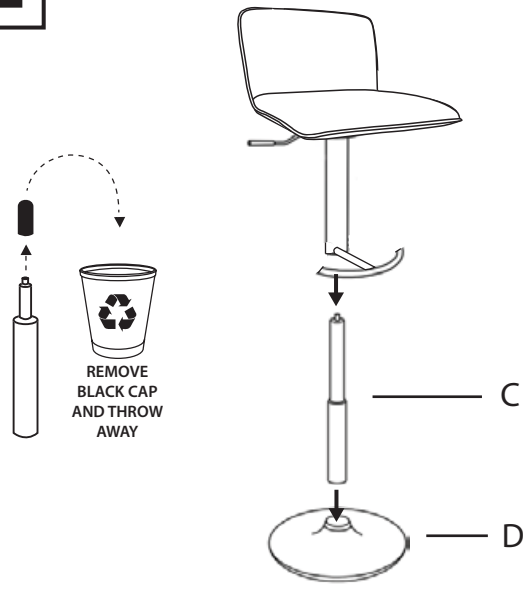


(Front)

**A**

*\*Optional:  
 Add spacers to increase seat pitch.*

**2**

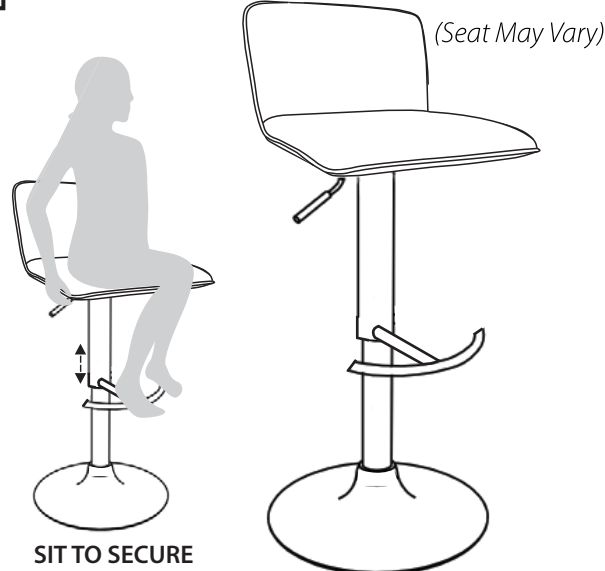


REMOVE BLACK CAP AND THROW AWAY

**C**

**D**

**3**



(Seat May Vary)

**SIT TO SECURE**







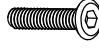


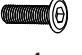



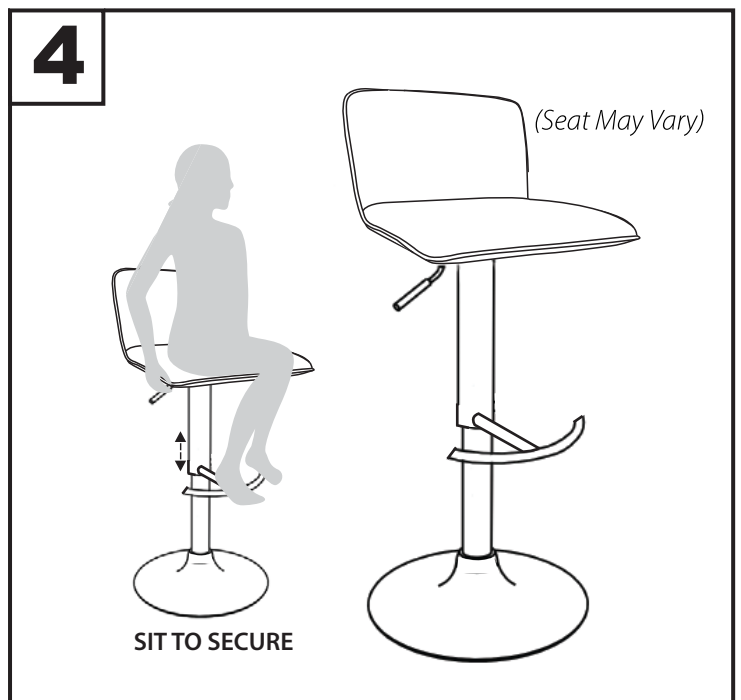
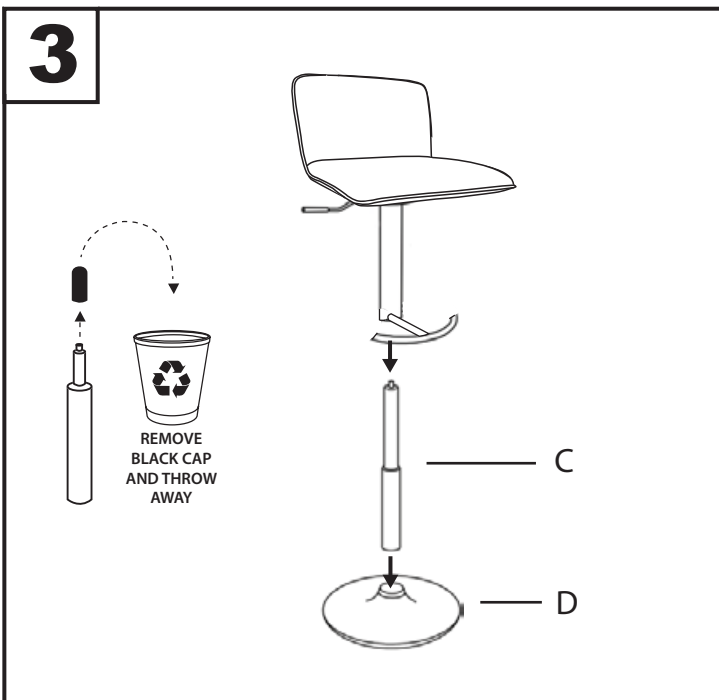
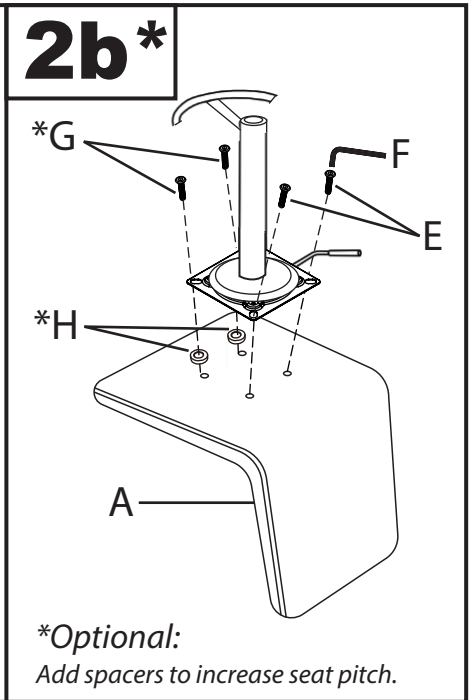
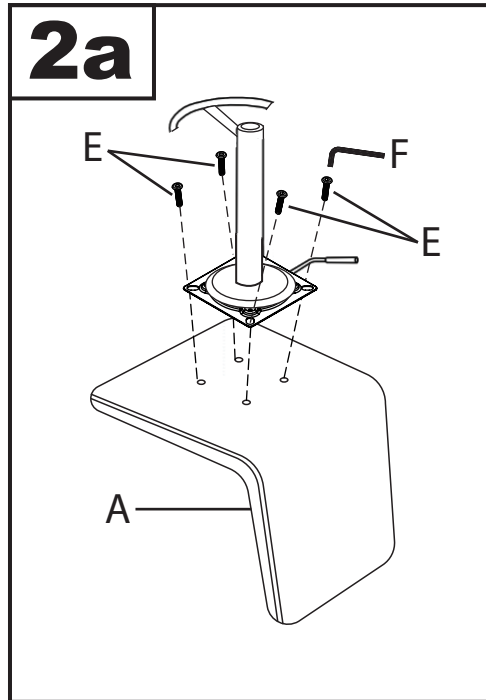
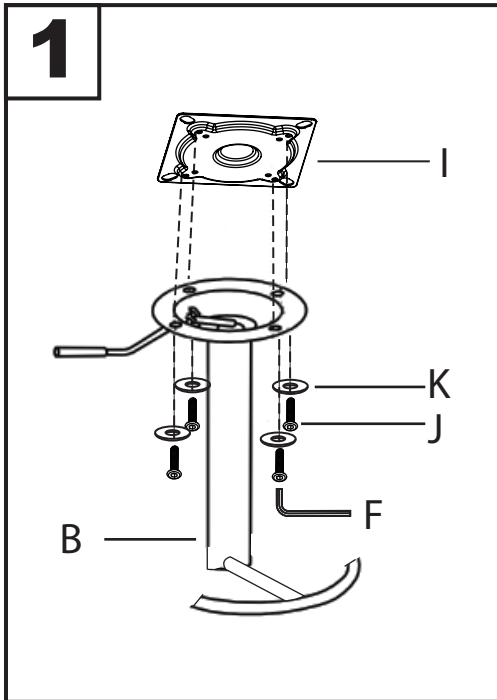
Do not over tighten.  
 Do not use power tools to assemble.

# Adjustable Barstool Base - Rounded T

Part # J33-RNT R17 XX+XX with 3355ADAP

21-1112

 (Seat May Vary) <b>A</b>	<b>PARTS</b>  <b>B</b>			 <b>C</b>	 <b>D</b>	 x4 (M6x16mm) <b>E</b>	 <b>F</b>	 x2 (M6x20mm) (Optional) * <b>G</b>	 x2 (Optional) * <b>H</b>	 <b>I</b>	 x4 (M6x12mm) <b>J</b>	 x4 <b>K</b>
--	---	--	--	---	---	--	---	---	---	---	--	---



Do not over tighten.  
 Do not use power tools to assemble.