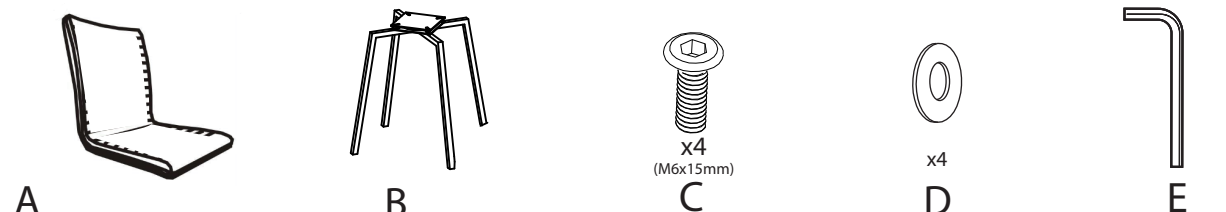


Mason Upholstered Swivel Chair

Part # CHR-MASON XX

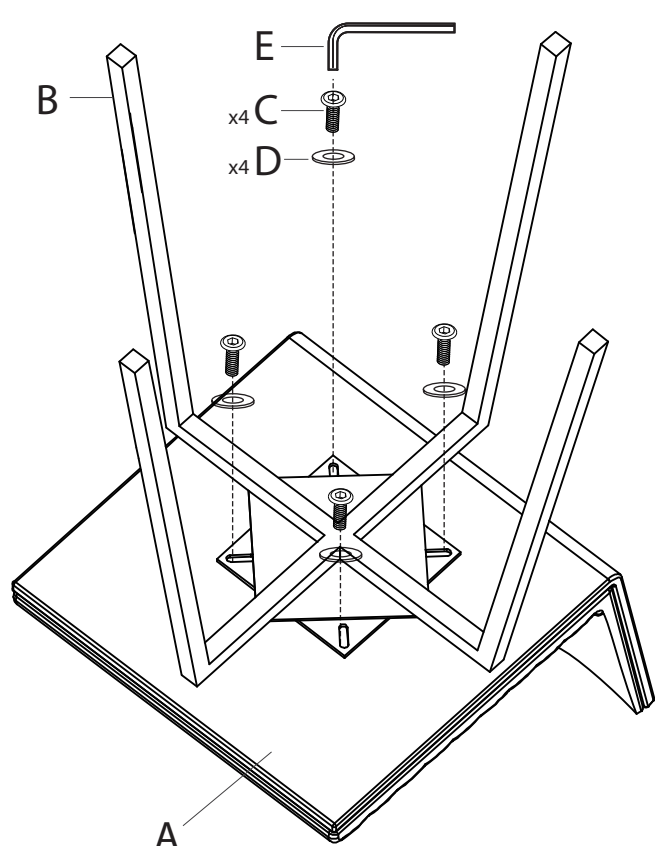
20-1216

PARTS



A B C x4 (M6x15mm) D x4 E

1



B E x4 C x4 D A

2




Do not over tighten.
 Do not use power tools to assemble.