

Marcel Counter Table

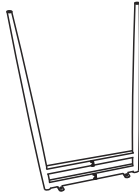
Part # CT-MARCEL XXXX

22-0531

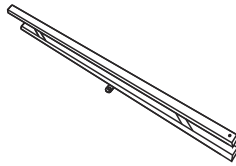
PARTS



A



B



C



(M6 x 12mm)

x6

D



(M6 x 16mm)

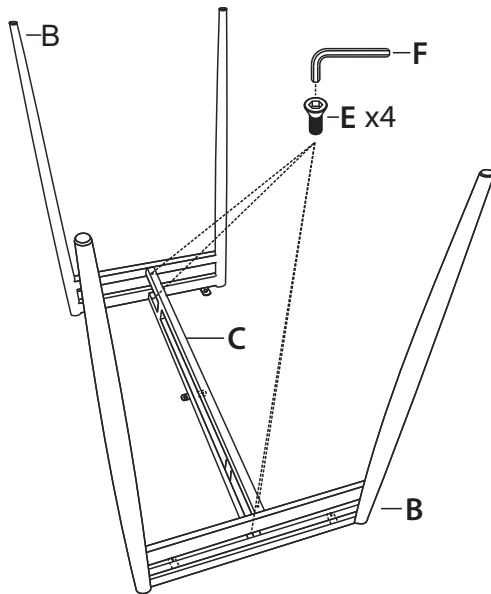
x4

E

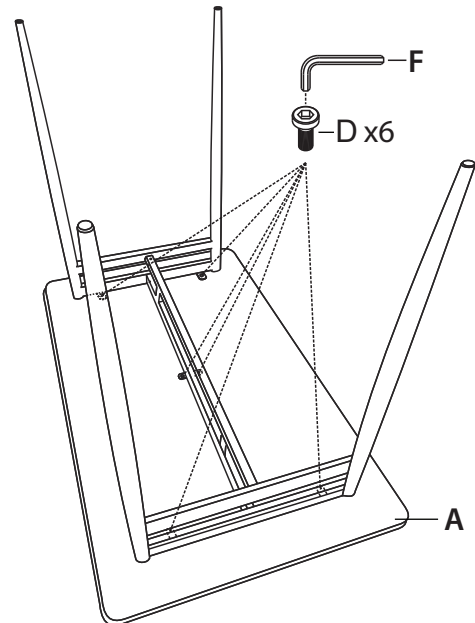


F

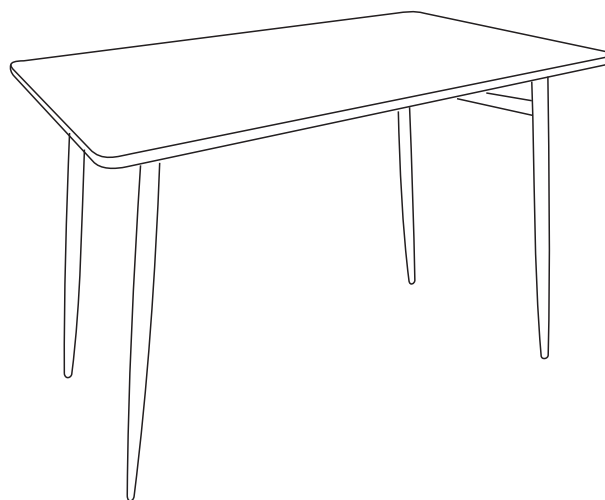
1



2



3



⚠ WARNING: TABLE

- Read all instructions carefully and completely before assembly and use. Retain for future reference.
- Keep plastic bags and small parts away from children.
- For residential (non-commercial) use only.
- DO NOT stand on product. Use only for intended table purpose.
- Max weight limit 150 lbs.
- Periodically check for loose hardware; retighten as necessary.
- DO NOT use product if any component becomes damaged.
- DO NOT use power tools to assemble OR overtighten hardware.