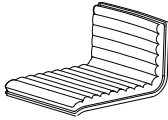


Part# B30-MASON-MARA1 XX+XX

23-0301

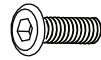
PARTS



A



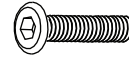
B



(M6 x 15mm)

x2

C



(M6 x 30mm)

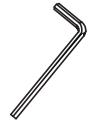
x2

D



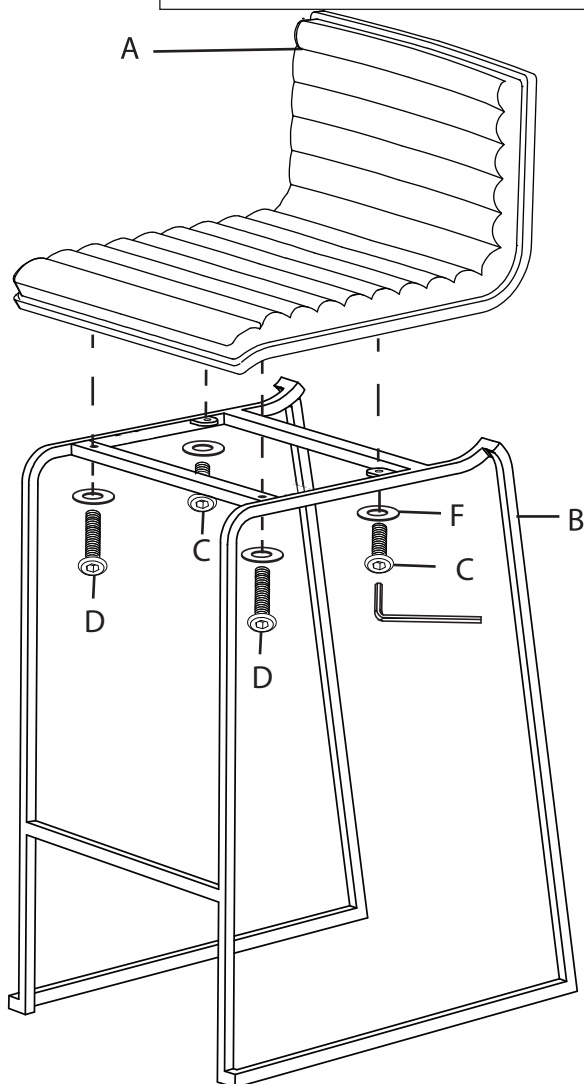
x4

E

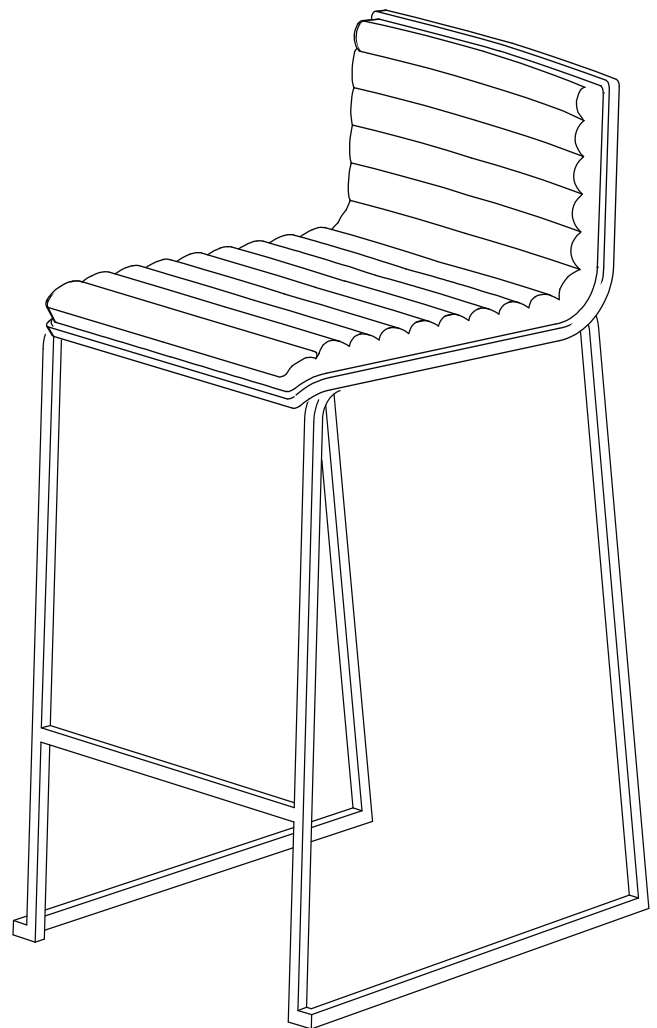


F

1

Fasten all bolts in place
before tightening 100%

2



⚠ WARNING: SEATING: CHAIR, COUNTER/BAR, OFFICE

- Read all instructions carefully and completely before assembly and use. Retain for future reference.
- Keep plastic bags and small parts away from children.
- For residential (non-commercial) use only.
- DO NOT stand on product. Use only for intended table purpose.
- Max weight limit 250 lbs.
- Periodically check for loose hardware; retighten as necessary.
- DO NOT use product if any component becomes damaged.
- DO NOT use power tools to assemble OR overtighten hardware.