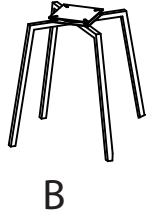


# Mason Swivel Chair

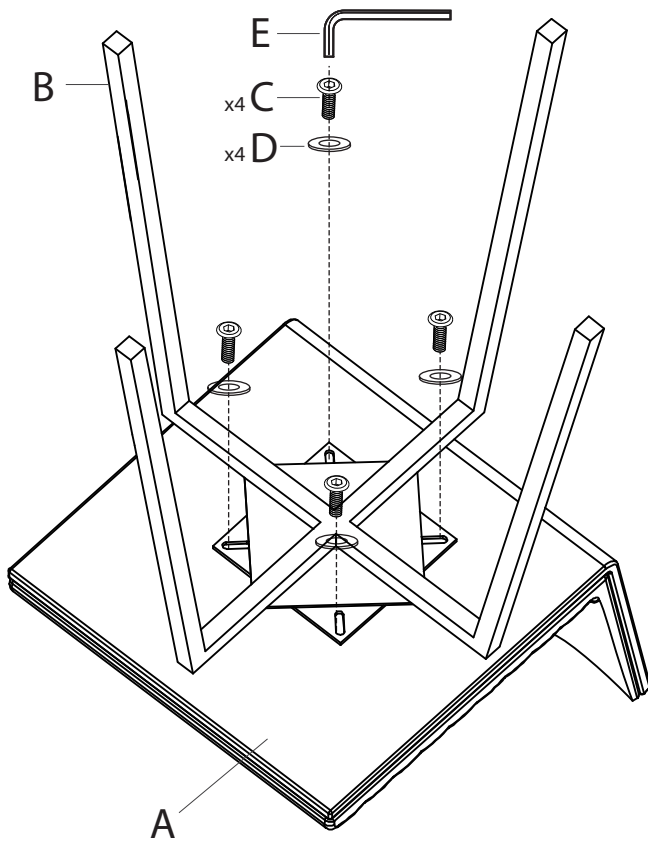
Part # CHR-MASON XX

20-1216

**PARTS**



**1**



**2**



Do not over tighten.  
Do not use power tools to assemble.