


Half-Lap 17" Metal Chair Legs (Flat)

Part # L17-94HLF XX XXXX

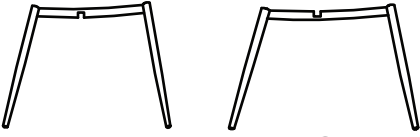
21-1229

(seat may vary)




A


PARTS




B C




x1+1
(M6x30mm)
F



x4+1
(M6x45mm)
G

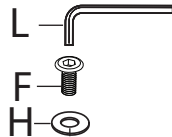


x5
H



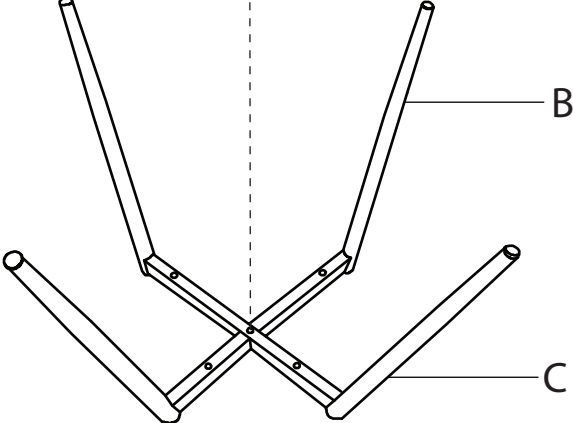
L

1

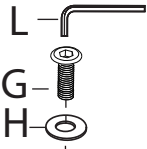


L
F
H

**! 80%
tighten**

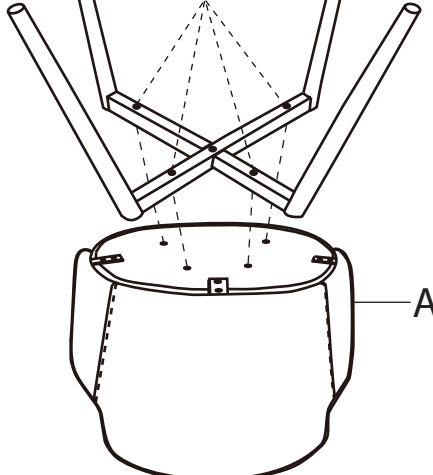


2




L
G
H

**! 80%
tighten**

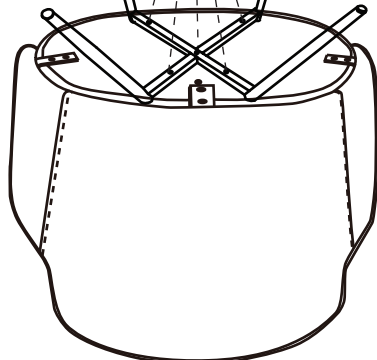


3



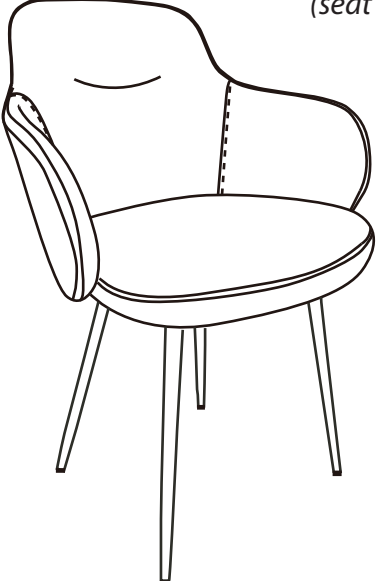
L

**! 100%
tighten**



4

(seat may vary)



⚠ WARNING: SEATING: CHAIR, COUNTER/BAR, OFFICE

- Read all instructions carefully and completely before assembly and use. Retain for future reference.
- Keep plastic bags and small parts away from children.
- For residential (non-commercial) use only.
- DO NOT stand on product. Use only for intended table purpose.
- Max weight limit 250 lbs.
- Periodically check for loose hardware; retighten as necessary.
- DO NOT use product if any component becomes damaged.
- DO NOT use power tools to assemble OR overtighten hardware.