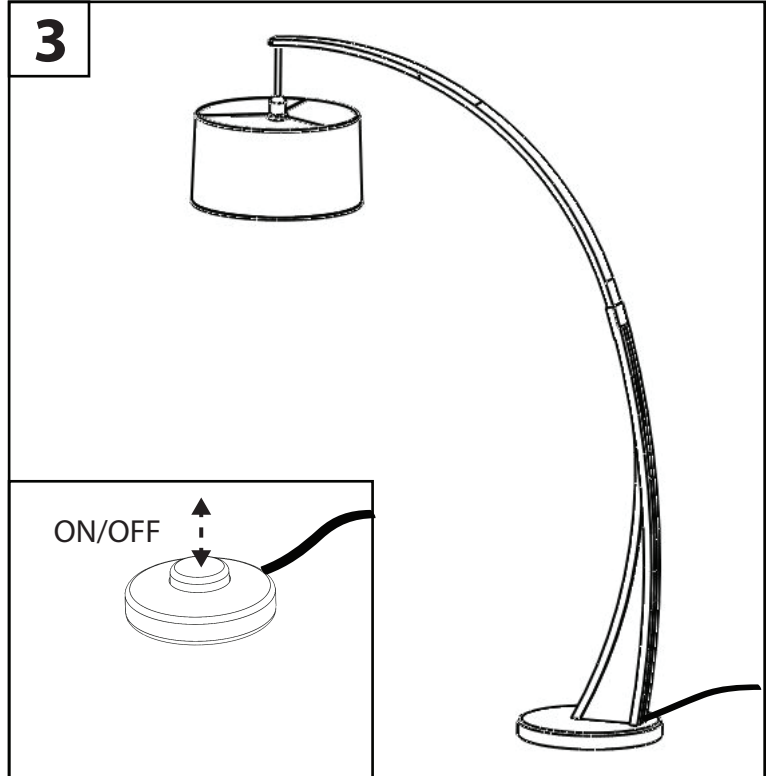
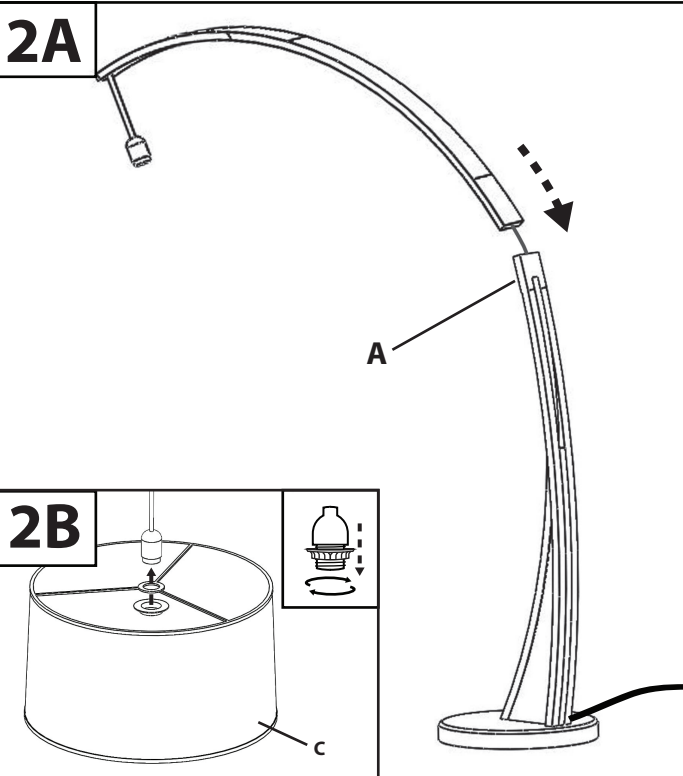
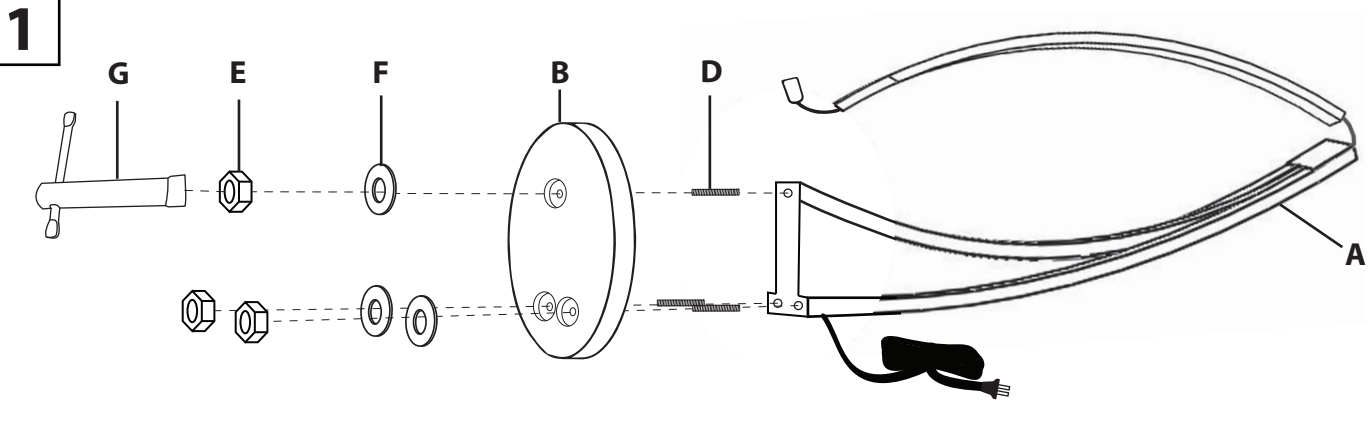
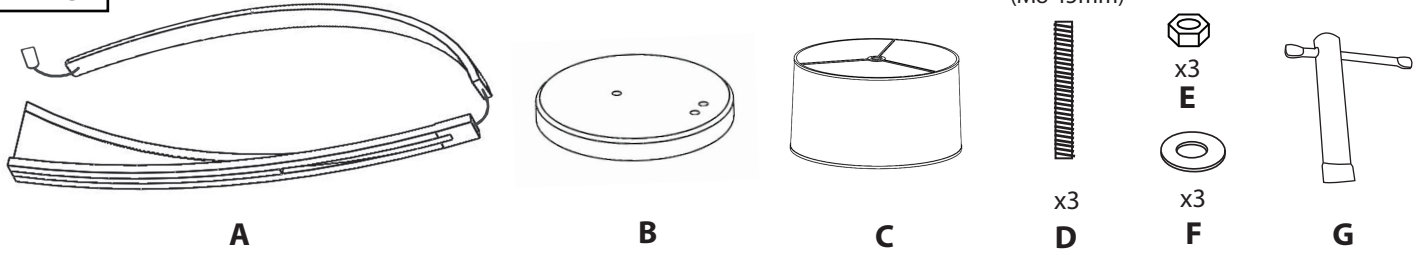


# Noah Floor Lamp

Part # LS-NOAHFL XX

19-1202

**PARTS**



**CAUTION**

For indoor use only. Keep out of reach of children and animals. Place on flat surface and away from flammable materials. Never operate this appliance if it has a damaged cord, plug or cable. Keep cord away from heated and/or damp areas. Use 120V~60Hz, 100 watt max (or LED equivalent). type A E26 bulb only.



Do not over tighten.  
 Do not use power tools to assemble.