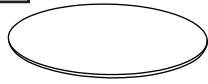


Cosmo Bar Table

Part # T42-CSMO-CNRYCSMO XX+XX

24-1016

PARTS



A



B



C



x6
(M6x14mm)
D



x4
(M6x25mm)
E



x4
F

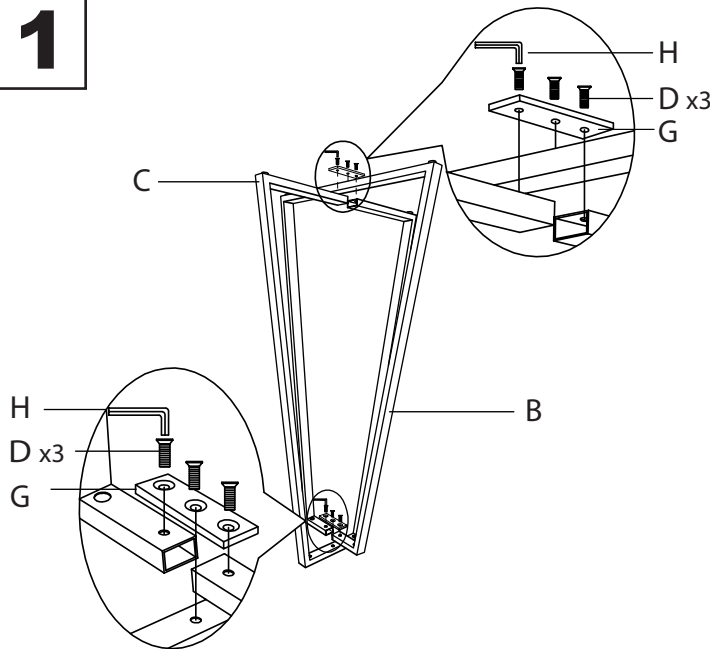


x2
G

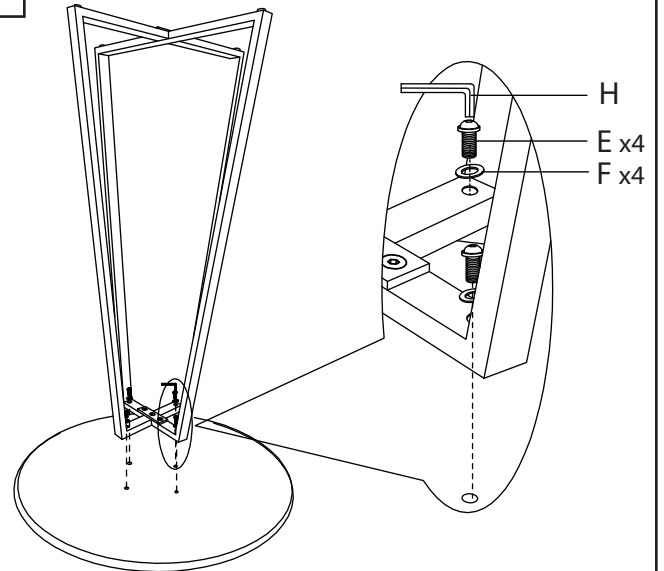


H

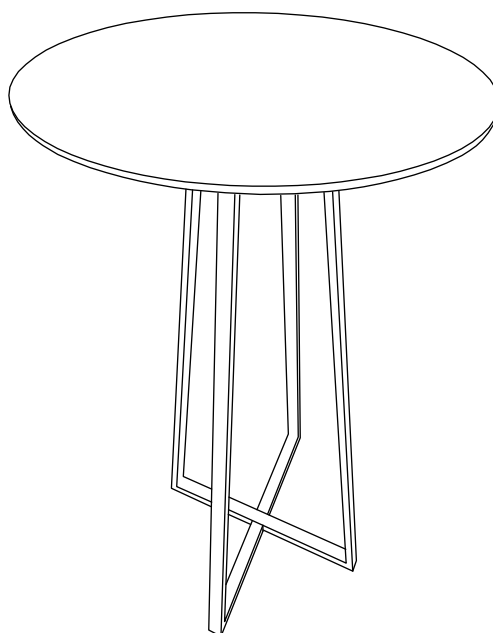
1



2



3



⚠ WARNING:TABLE

- Read all instructions carefully and completely before assembly and use. Retain for future reference.
- Keep plastic bags and small parts away from children.
- For residential (non-commercial) use only.
- DO NOT stand on product. Use only for intended table purpose.
- Max weight limit 150 lbs.
- Periodically check for loose hardware; retighten as necessary.
- DO NOT use product if any component becomes damaged.
- DO NOT use power tools to assemble OR overtighten hardware.