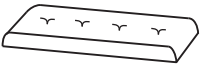
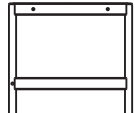
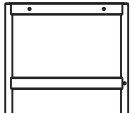
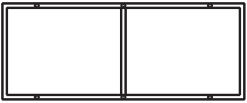





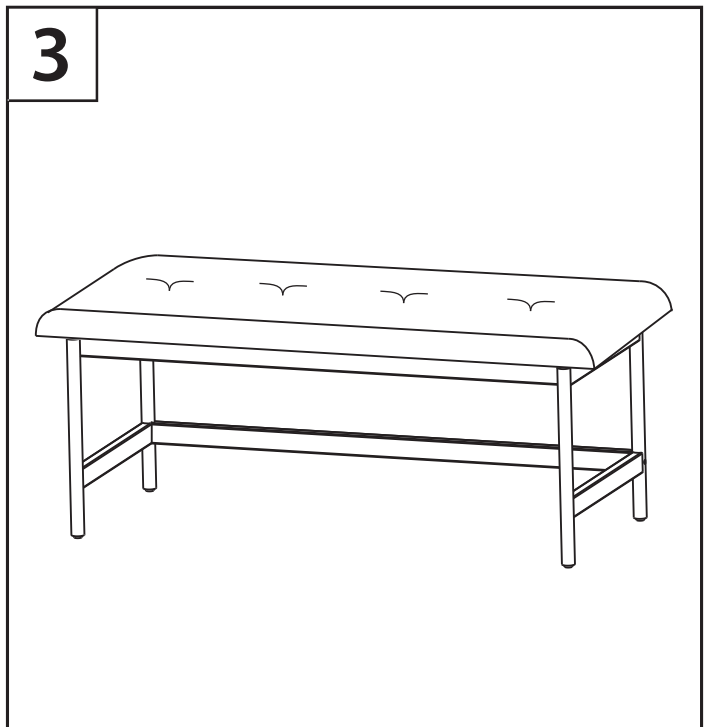
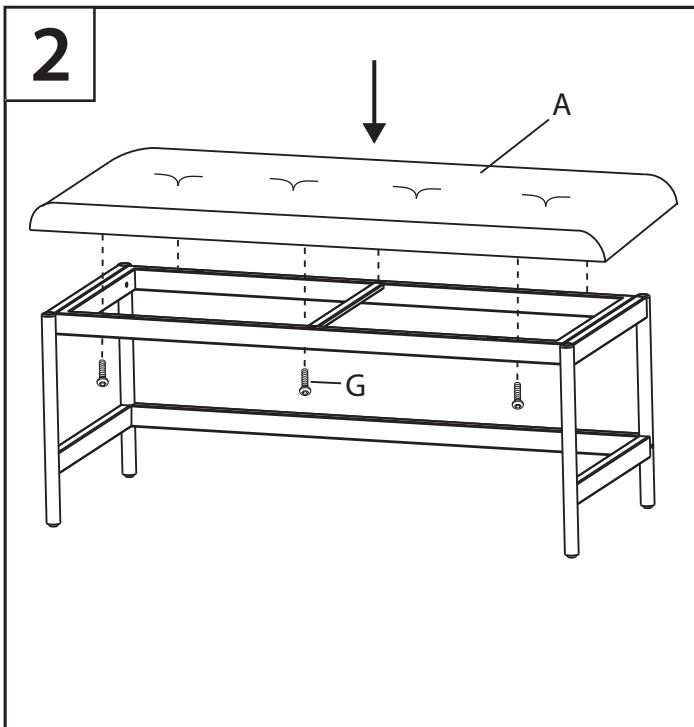
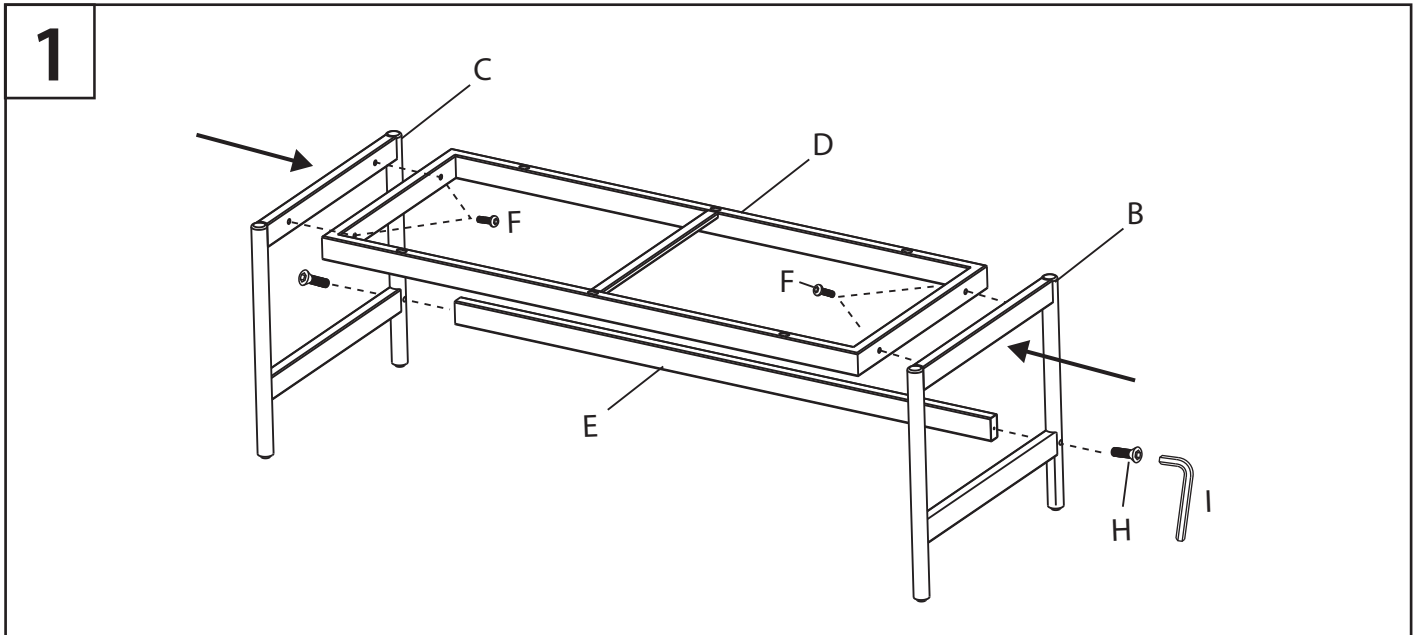


Fuji Bench Frame

Part # L16-FUJI FRM XX

24-1216

PARTS			
 (seat separate) A	 B	 C	 D
			 E
			 F (M6x 35mm) x4
			 G (M6x 55mm) x6
			 H (M6x 40mm) x2
			 I



⚠ WARNING: SEATING

- Read all instructions carefully and completely before assembly and use. Retain for future reference.
- Keep plastic bags and small parts away from children.
- For residential (non-commercial) use only.
- DO NOT stand on product. Use only for intended table purpose.
- Max weight limit 250 lbs.
- Periodically check for loose hardware; retighten as necessary.
- DO NOT use product if any component becomes damaged.
- DO NOT use power tools to assemble OR overtighten hardware.