

Part# CHR-GR-VINF XX

14-0731

PARTS

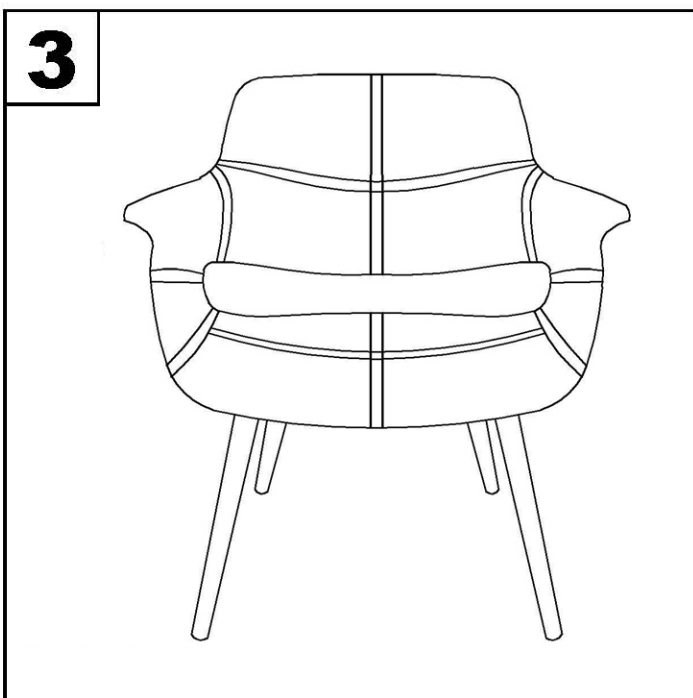
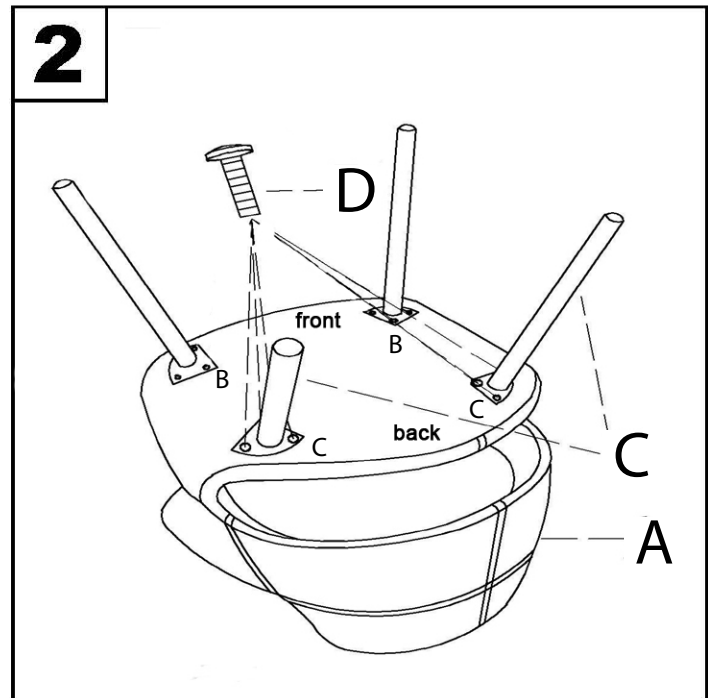
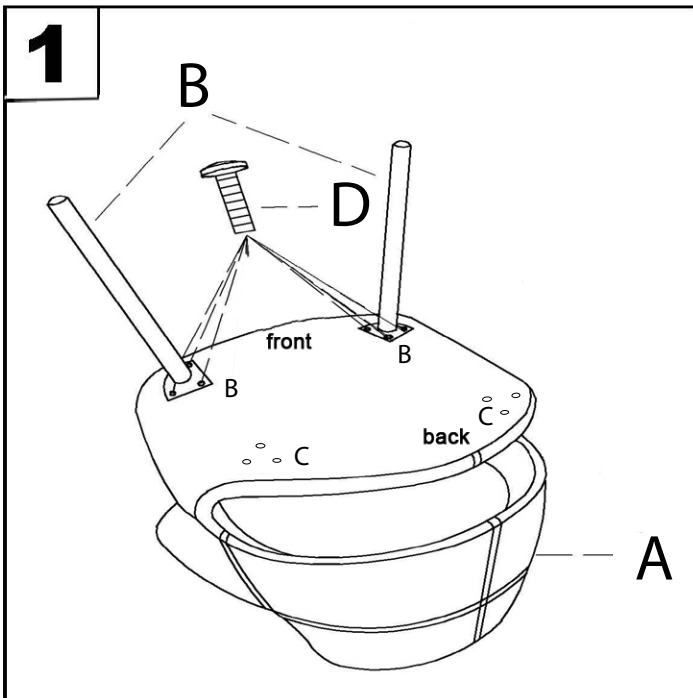
A

B X2 14.75" front

C X2 14" back

D 6x20mm x12

E



Do not over tighten.
 Do not use power tools to assemble.